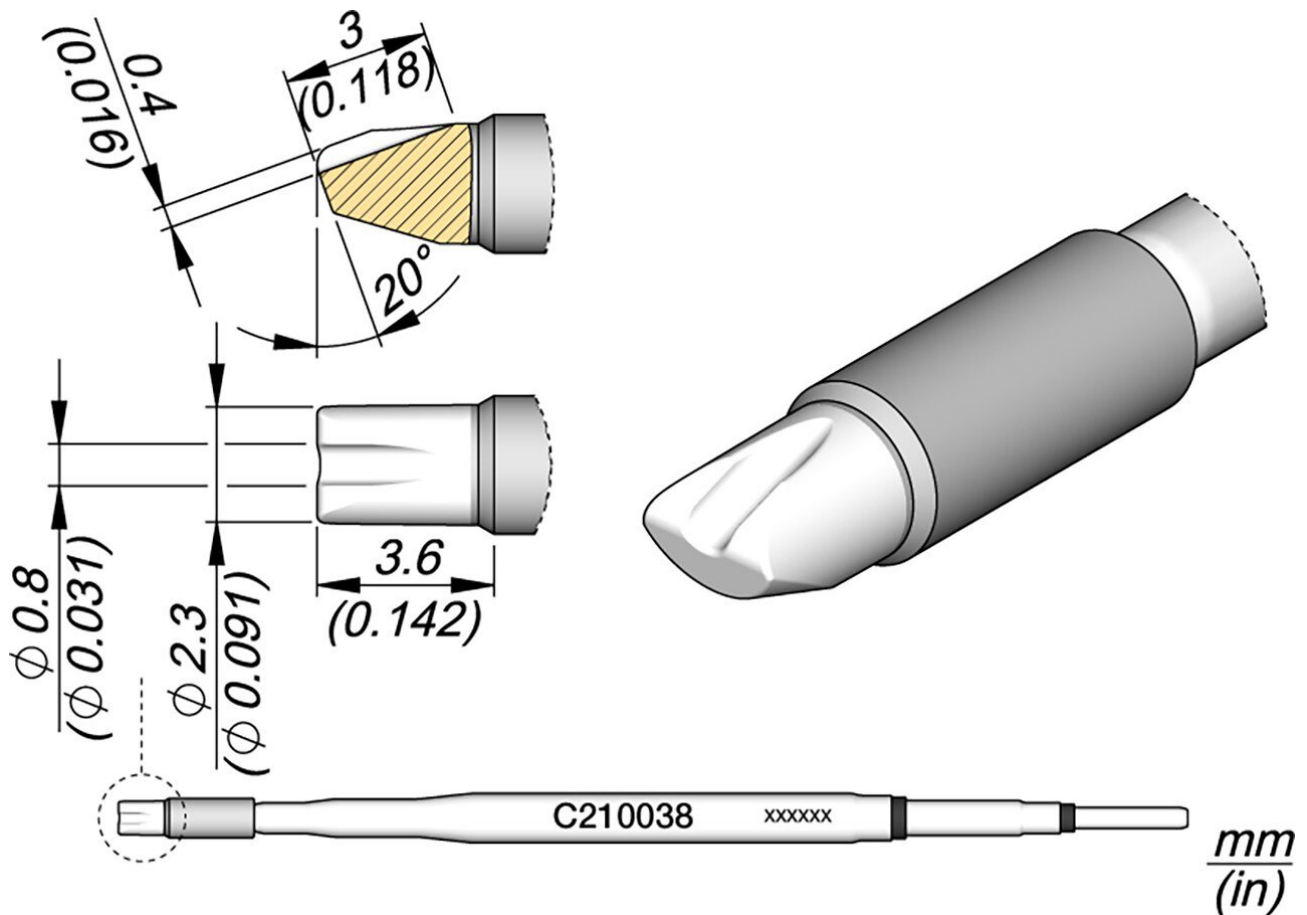


Soldering tip barrell, diameter 0,8 mm, C210038



This is specially designed for soldering cables and connections up to 0.8 mm in diameter.

Due to the size, these cartridges are perfect to under a microscope, or with conventional components.

They are appropriate for connectors soldering purposes and they are perfect for both THT and SMT cable soldering or for applications with medium power requirements such as ground plane soldering.

They work with T210 Precision Handle.

JBC Long Life Tips offer instant heat up, excellent heat transfer and great durability.

They last 5 times longer than other brands thanks to the JBC Most Efficient Soldering System and the Sleep & Hibernation features.

Products for the electronic industry



C210038 - Barrell Cartridge Ø 0.8

Item no.	WL55114
Manufacturer	JBC
Manufacturer article no.	C210038
GPSR manufacturer data	JBC Soldering SL Ramón y Cajal 3 ES-08750 Molins De Rei www.jbctools.com
Length with packaging	110 mm
Width with packaging	12 mm
Height with packaging	12 mm
Sales unit	1 piece
Content unit	1 piece
Incl. battery	no
Product series	C210
Tip series	C210
Tip shape	special form
Tip alignment	straight
Matching handpiece	T210
ESD compliant	no