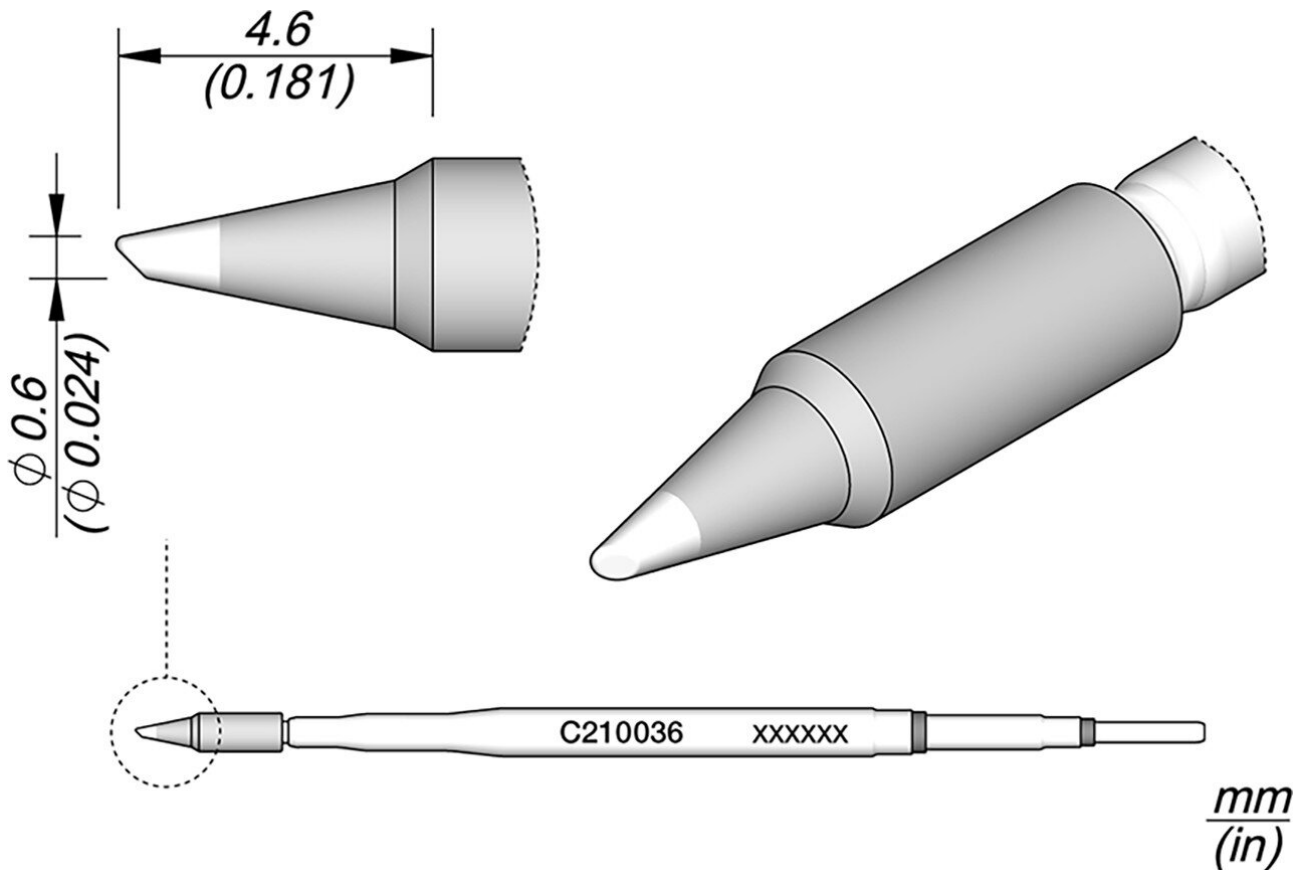


Soldering tip bevel, diameter 0,6 mm



C210 cartridges are appropriate for precision soldering jobs with medium power requirements.

Due to the size, these cartridges are perfect to work with SMD, under a microscope, or with conventional components.

They work with T210 Precision Handpieces.

JBC Long Life Tips offer instant heat up, excellent heat transfer and great durability.

They last 5 times longer than other brands thanks to the JBC Most Efficient Soldering System and the Sleep & Hibernation features.

C210036 - Bevel Cartridge Ø 0.6

Item no.

WL54977

Products for the electronic industry



Manufacturer	JBC
Manufacturer article no.	C210036
GPSR manufacturer data	JBC Soldering SL Ramón y Cajal 3 ES-08750 Molins De Rei www.jbctools.com
Length with packaging	110 mm
Width with packaging	12 mm
Height with packaging	12 mm
Sales unit	1 piece
Content unit	1 piece
Incl. battery	no
Product series	C210
Tip series	C210
Tip shape	conical
Tip alignment	straight
Matching handpiece	T210
Matching handpiece	T210,B-100,B-500
ESD compliant	no