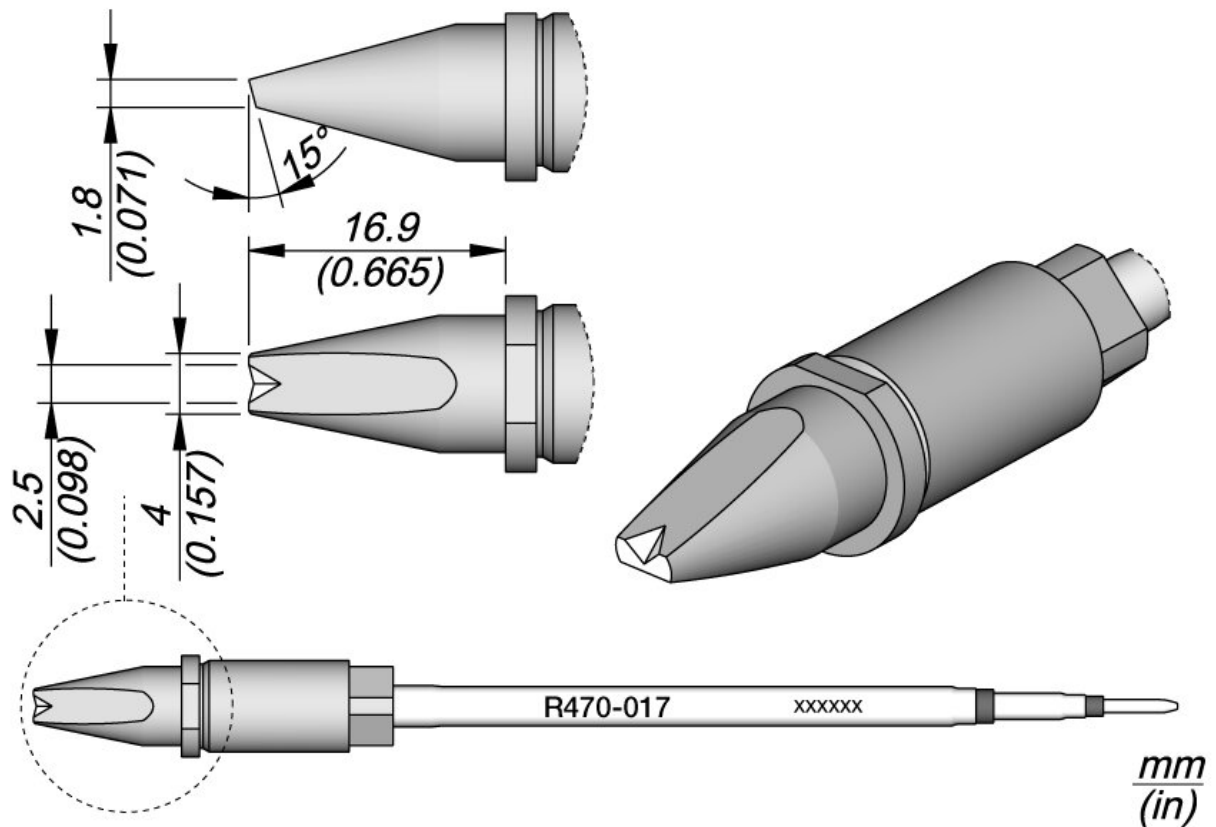


## Soldering tip R470, chisel, 4 x 1.8mm, R470017



- for automated soldering processes
- square cross-section, which perfectly centres the soldering tip in the soldering iron and ensures precise vertical positioning
- the soldering tip can be inserted in 4 different positions, which can be changed in 90° steps

Item no.	<b>WL54745</b>
Model	R470017
Manufacturer	JBC
Manufacturer article no.	R470017
GPSR manufacturer data	JBC Soldering SL Ramón y Cajal 3 ES-08750 Molins De Rei www.jbctools.com

Sales unit	1 piece
Content unit	1 piece
Incl. battery	no
Product series	R470
Matching stand	CS2R470
Soldering tip or desoldering tip	soldering tip
Tip series	R470
Angle (soldering tip)	15 °
Tip dimensions	4 x 1,8 mm
Tip length	16.9 mm
Tip width	4 mm
Tip thickness	1.8 mm
Tip applications	General use
Tip shape	chisel-shaped
Tip alignment	straight
Matching handpiece	TR470, TRA470
ESD compliant	no