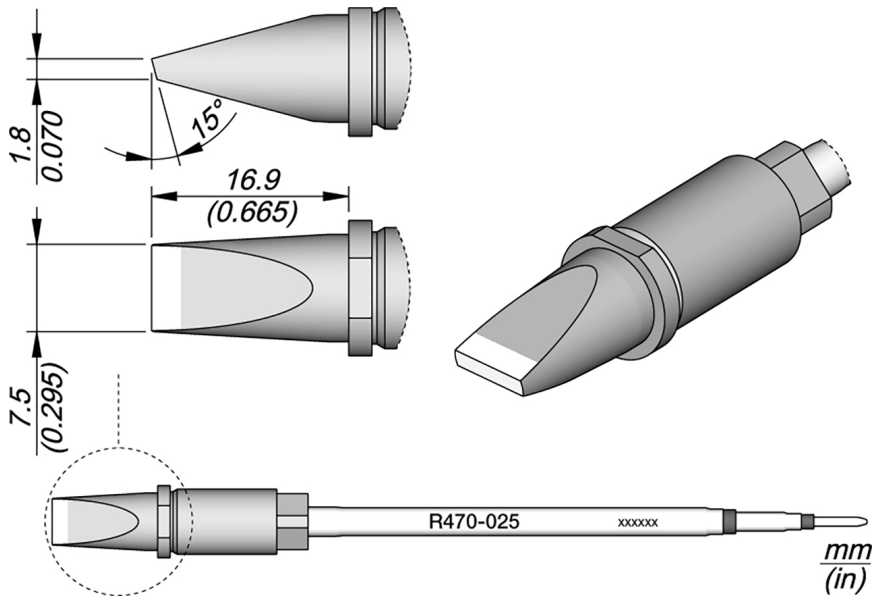


R470 soldering tip, chisel, 7.5 x 1.8 mm



Description

- for heat intensive applications
- square cross-section, which perfectly centres the soldering tip in the soldering iron and ensures precise vertical positioning
- the soldering tip can be inserted in 4 different positions, which can be changed in 90° steps

Product details

item number	WL50746
manufacturer	JBC
manufacturer item number	R470025
order unit	piece
product series	R470
Tip series	R470
suitable handle	TR470, TRA470