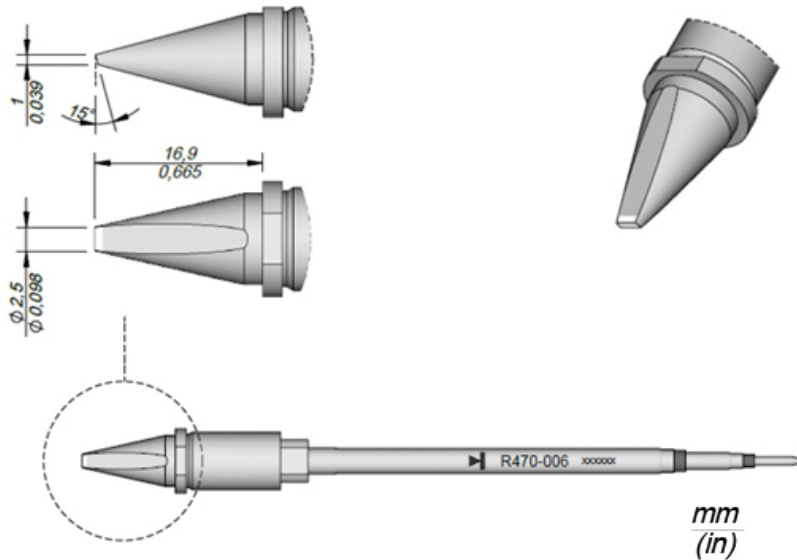


R470 soldering tip, chisel, 2.5 x 1 mm



Description

- for heat-intensive applications
- square cross section that perfectly centers the soldering tip in the soldering iron and ensures precise vertical positioning
- The soldering tip can be inserted in 4 different positions, which can be changed in 90° steps.

Product details

item number	WL46706
manufacturer	JBC
manufacturer item number	R470021
model	R470-021
order unit	piece
product series	R470
Tip series	R470
tip dimensions	2,5 x 1 mm

tip shape

chisel-shaped

suitable handle

TR470, TRA470

