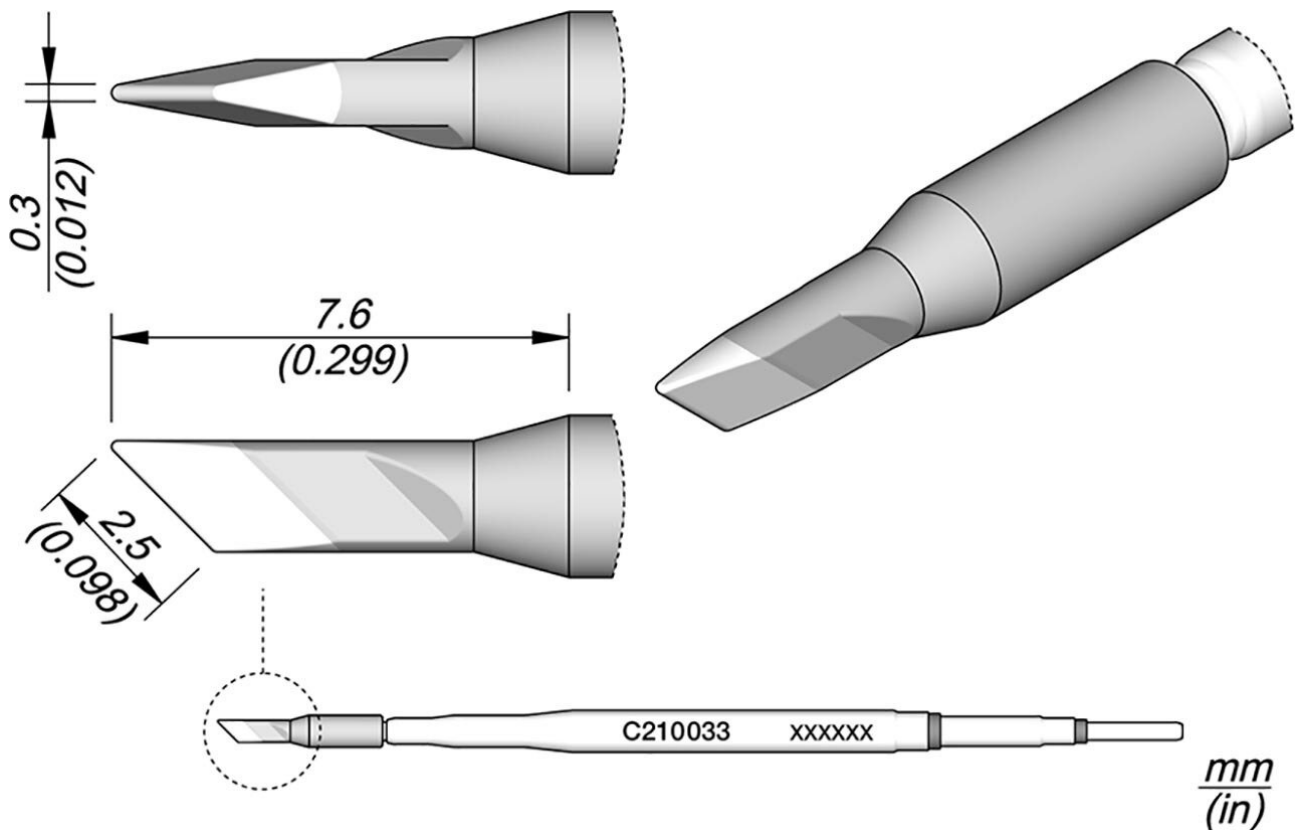


Soldering tip knife, 2,5 x 0,3 mm, C210033



C210 cartridges are appropriate for precision soldering jobs with medium power requirements.

Due to the size, these cartridges are perfect to work with SMD, under a microscope, or with conventional components.

They work with T210 Precision Handpieces.

JBC Long Life Tips offer instant heat up, excellent heat transfer and great durability.

They last 5 times longer than other brands thanks to the JBC Most Efficient Soldering System and the Sleep & Hibernation features.

Item no. **WL46387**

Model **C210-033**

Products for the electronic industry



Manufacturer	JBC
Manufacturer article no.	C210033
GPSR manufacturer data	JBC Soldering SL Ramón y Cajal 3 ES-08750 Molins De Rei www.jbctools.com
Length with packaging	110 mm
Width with packaging	12 mm
Height with packaging	12 mm
Sales unit	1 piece
Content unit	1 piece
Incl. battery	no
Product series	C210
Tip series	C210
Tip shape	knife-shaped
Tip alignment	straight
Matching handpiece	T210
ESD compliant	no