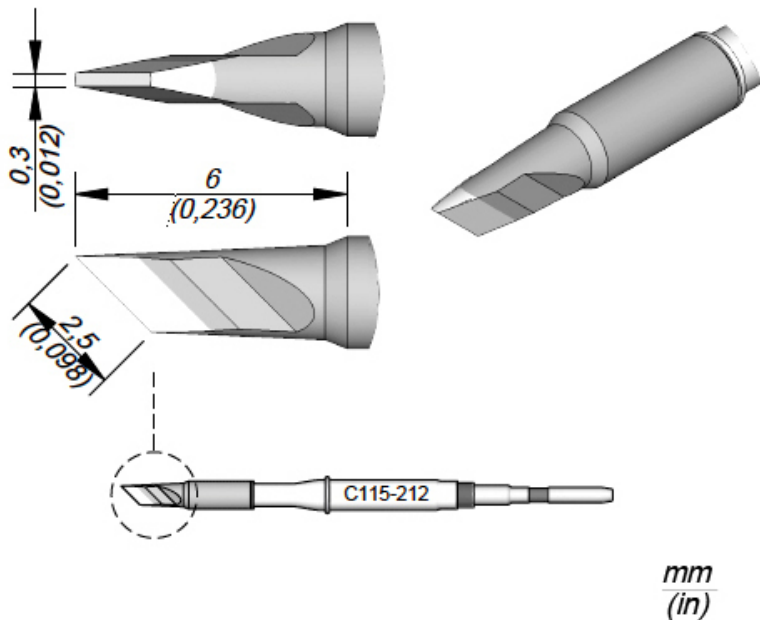


Soldering/desoldering tip for Nano handpieces, 2.5 x 0.3 mm



Description

Soldering/desoldering tip for nano-soldering iron

- tip shape: knife-shaped
- flat
- 2,5 x 0,3 mm
- work with NT115-A, NP115-A, NP115-B nanosoldering tools
- C115 soldering tips are suitable for soldering and repairing very small components with high precision, even under the microscope.

Weidinger product code **WL45912**

Model C115-212

Manufacturer JBC

Manufacturer product code C115212