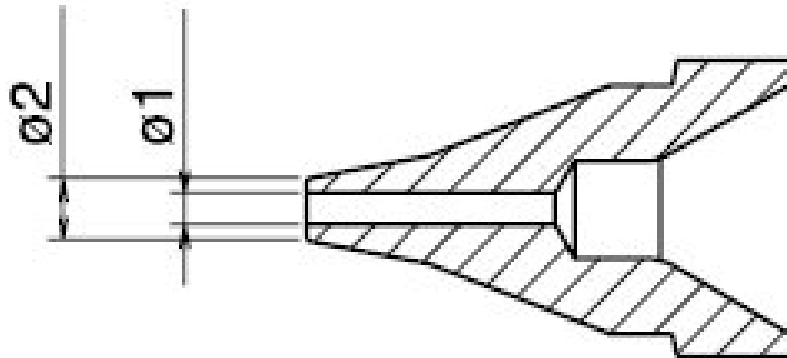


Desoldering nozzle \varnothing 1.0 mm type S

N61-05



- for HAKKO desoldering pump FR 4101 / FR 301

Item no.	WL45805
Model	N61-05
Manufacturer	HAKKO
Manufacturer article no.	N61-05
GPSR manufacturer data	TBK - Technisches Büro Kullik GmbH Industriestrasse 27 DE-56276 Großmaiseid www.kullik.com/
Length	125 mm
Width	45 mm
Height	8 mm
Sales unit	1 piece
Content unit	1 piece
Incl. battery	no
Product series	N61
Tip series	N61
Soldering tip diameter	0.1 mm

Products for the electronic industry



Tip shape	round
Tip alignment	straight
Matching handpiece	FR-301, FR-410
Matching handpiece	FR-301,FR-410
ESD compliant	no

