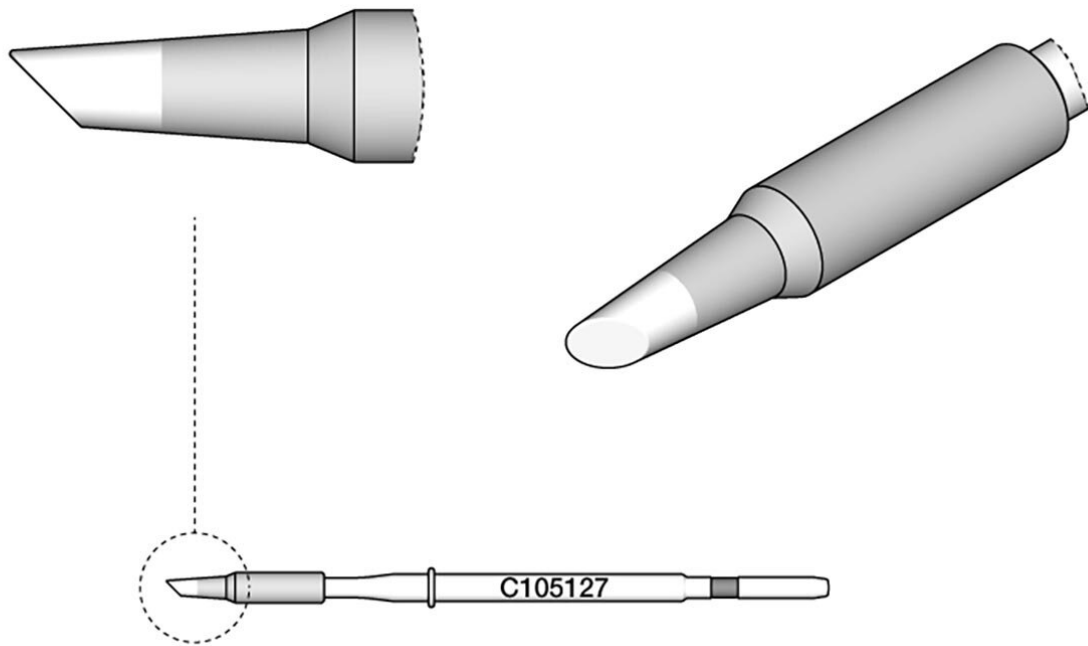


## Soldering tip bevelled, D: 1 mm, C105127



The soldering tips of the C105 series are the smallest tips of the JBC series and are ideal for soldering and repairing very small components. These are compatible with the NT105 and NP105 nano handpieces.

<b>Item no.</b>	<b>WL45777</b>
Model	C105-127
Manufacturer	JBC
Manufacturer article no.	C105127
GPSR manufacturer data	JBC Soldering SL Ramón y Cajal 3 ES-08750 Molins De Rei www.jbctools.com
Sales unit	1 piece
Content unit	1 piece

Product series	C105
Tip series	C105
Incl. integrated heating	yes
Tip length	4.5 mm
Soldering tip diameter	1 mm
Tip shape	conical
Tip alignment	sloped
Matching desoldering tweezers	NT105, NP105
Matching handpiece	NP105, NT105
Matching handpiece	NT105, NP105
ESD compliant	no