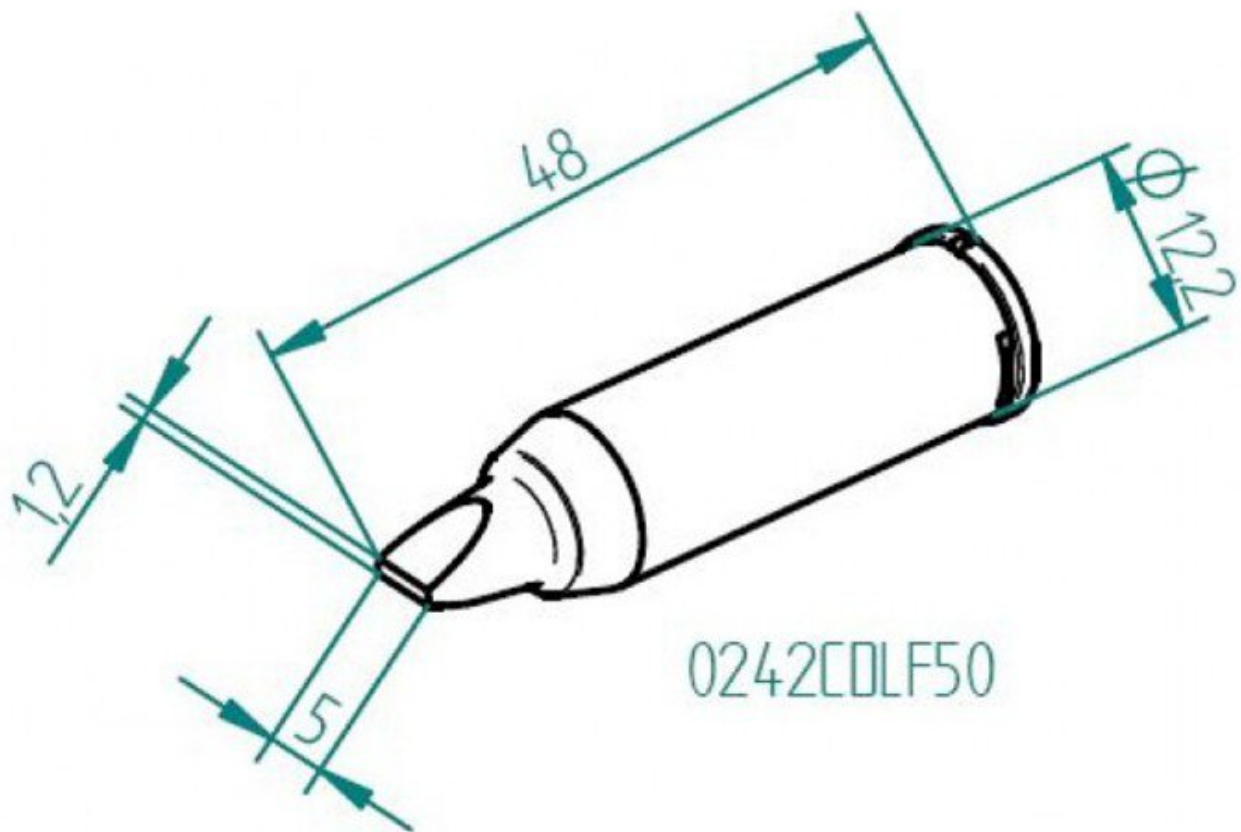


Soldering tip for i-Tool HighPower, straight, chisel-shaped, 5 mm, 0242CDLF50



- Suitable for soldering iron HighPower-Tool (0240CDJ) of soldering station i-CON Vario HP in version 0ICV2000HP
- Continuous soldering tip, straight, chisel-shaped, 5 mm, with ERSADUR-LF coating

Item no.	WL45709
Model	0242CDLF50
Manufacturer	ERSA
Manufacturer article no.	0242CDLF50/SB
GPSR manufacturer data	ERSA GmbH Leonhard-Karl-Strasse 24 DE-97877 Wertheim www.ersa.de

Length	48 mm
Sales unit	1 piece
Content unit	1 piece
Total length	44 mm
Product series	242
Tip series	242
Tip dimensions	5 x 1,2 mm
Tip shape	chisel-shaped
Tip alignment	straight
Matching handpiece	i-TOOL HP
Matching handpiece	i-Tool HighPower
ESD compliant	no