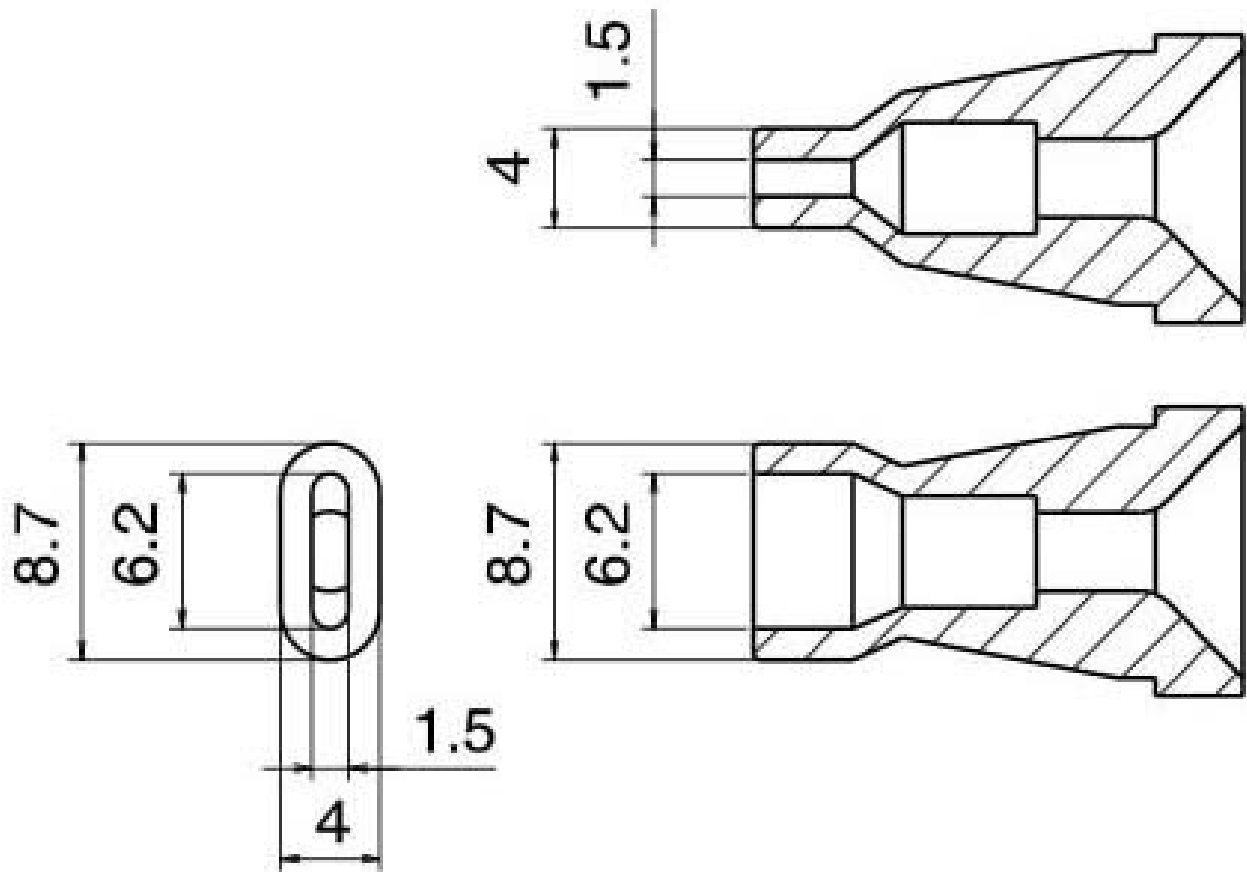


## Desoldering nozzle 6.2 x 1.5 mm



- for HAKKO desoldering pump FR 4001

item number	WL45656
model	N60-09
manufacturer	HAKKO
manufacturer item number	N60-09
length	125 mm
width	45 mm
height	15 mm
order unit	1 piece
content unit	1 piece

product series	N60
Tip series	N60
inside diameter	6.2 mm
outer diameter	8.7 mm
tip shape	round
tip alignment	straight
suitable handpiece	FR-4003
suitable handle	FR 400
ESD safe	no