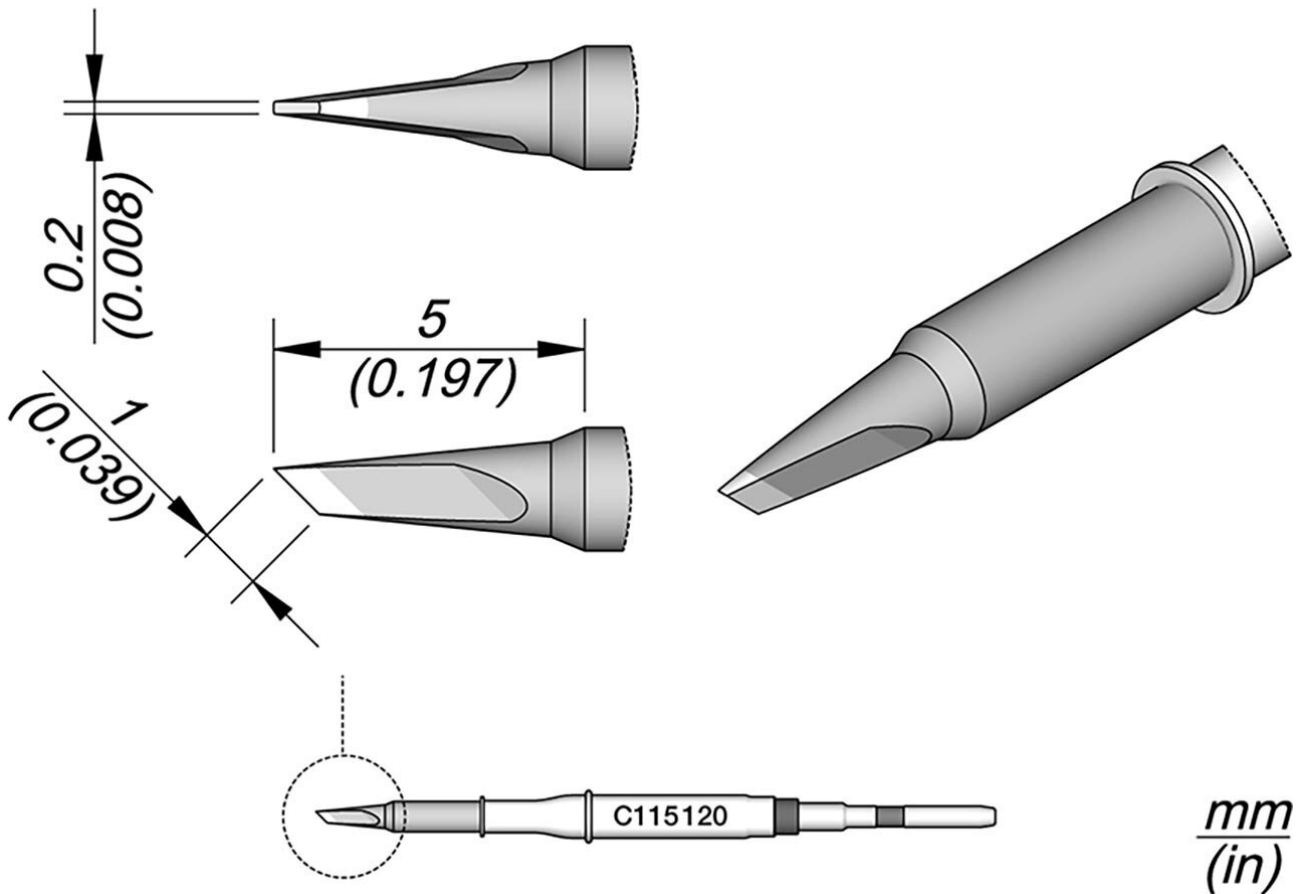


Knife-shaped soldering tip, 1 x 0.2 mm, C115120



The C115 series soldering tips are suitable for soldering and repairing very small components. These are compatible with NT115-A, NP115-A and AN115-A Nano soldering handpieces.

Item no.	WL45582
Model	C115-120
Manufacturer	JBC
Manufacturer article no.	C115120
GPSR manufacturer data	JBC Soldering SL Ramón y Cajal 3 ES-08750 Molins De Rei www.jbctools.com
Sales unit	1 piece

Products for the electronic industry



Content unit	1 piece
Incl. battery	no
Product series	C115
Tip series	C115
Tip dimensions	1 x 0,2 mm
Tip length	5 mm
Tip shape	knife-shaped
Tip alignment	sloped
Matching handpiece	AN115, NP115, NT115
Matching handpiece	NT115-A, NP115-A, AN115-A
ESD compliant	no