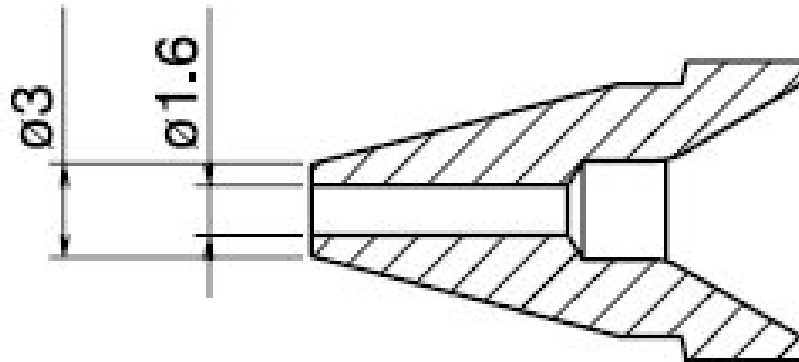


Desoldering nozzle Ø 1.6 mm standard

N61-10



- for HAKKO desoldering pump FR 4101 / FR 301

Item no.	WL45488
Model	N61-10
Manufacturer	HAKKO
Manufacturer article no.	N61-10
GPSR manufacturer data	TBK - Technisches Büro Kullik GmbH Industriestrasse 27 DE-56276 Großmaiseid www.kullik.com/
Length	125 mm
Width	45 mm
Height	8 mm
Sales unit	1 piece
Content unit	1 piece
Product series	N61
Tip series	N61
Soldering tip diameter	1.6 mm
Tip shape	round

Products for the electronic industry



Tip alignment	straight
Matching handpiece	FR-301, FR-410
Matching handpiece	FR-301,FR-410
ESD compliant	no

