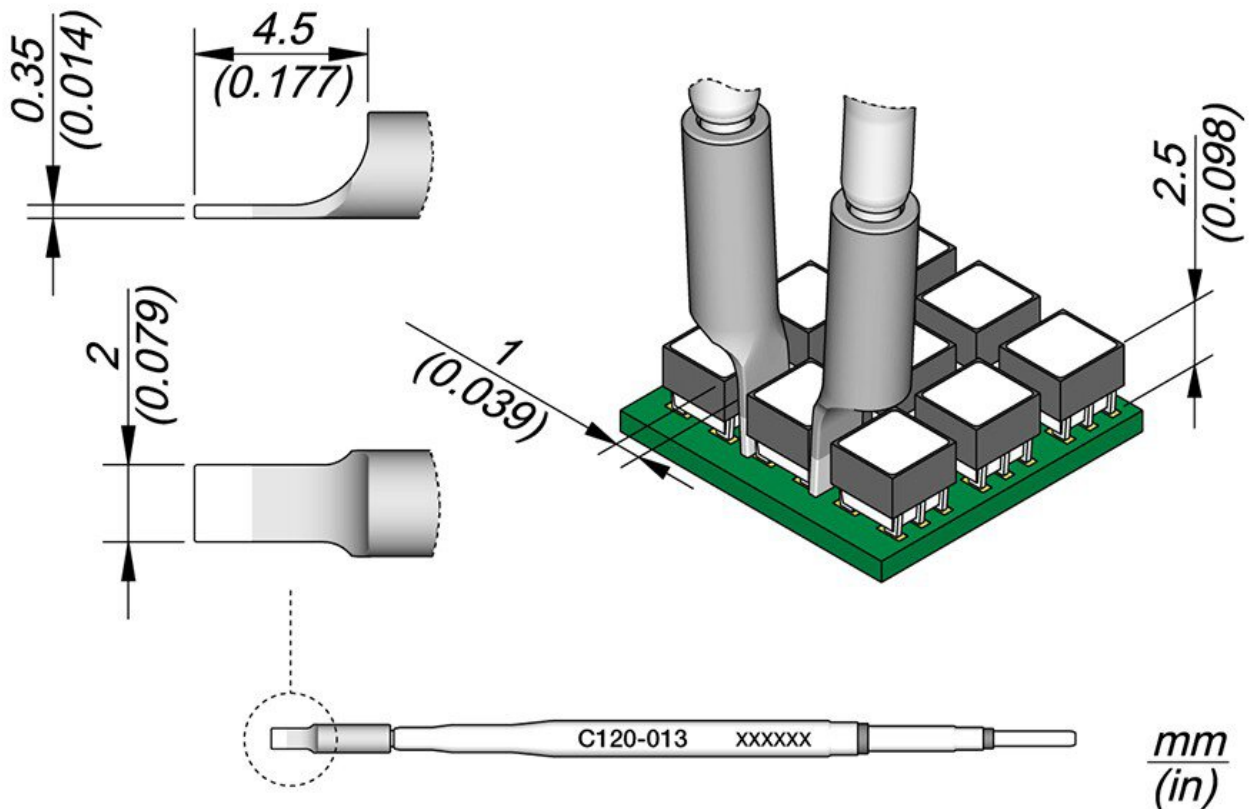


Soldering tip blade-shaped, 2 x 0.35 mm, C120013



The C120 series soldering tips are suitable for PA120 micro tweezers. These can be used for soldering and desoldering chip components or dual-in-line. The tips are sold separately.

Item no.	WL45192
Model	C120-013
Manufacturer	JBC
Manufacturer article no.	C120013
GPSR manufacturer data	JBC Soldering SL Ramón y Cajal 3 ES-08750 Molins De Rei www.jbctools.com
Sales unit	1 piece
Content unit	1 piece

Products for the electronic industry



Incl. battery	no
Product series	C120
Tip series	C120
Incl. integrated heating	yes
Tip dimensions	2 x 0,35 mm
Tip applications	<ul style="list-style-type: none">• for chip• for Dual-in-line IC
Tip shape	blade-shaped
Tip alignment	straight
Matching handpiece	AM120, PA120
ESD compliant	no