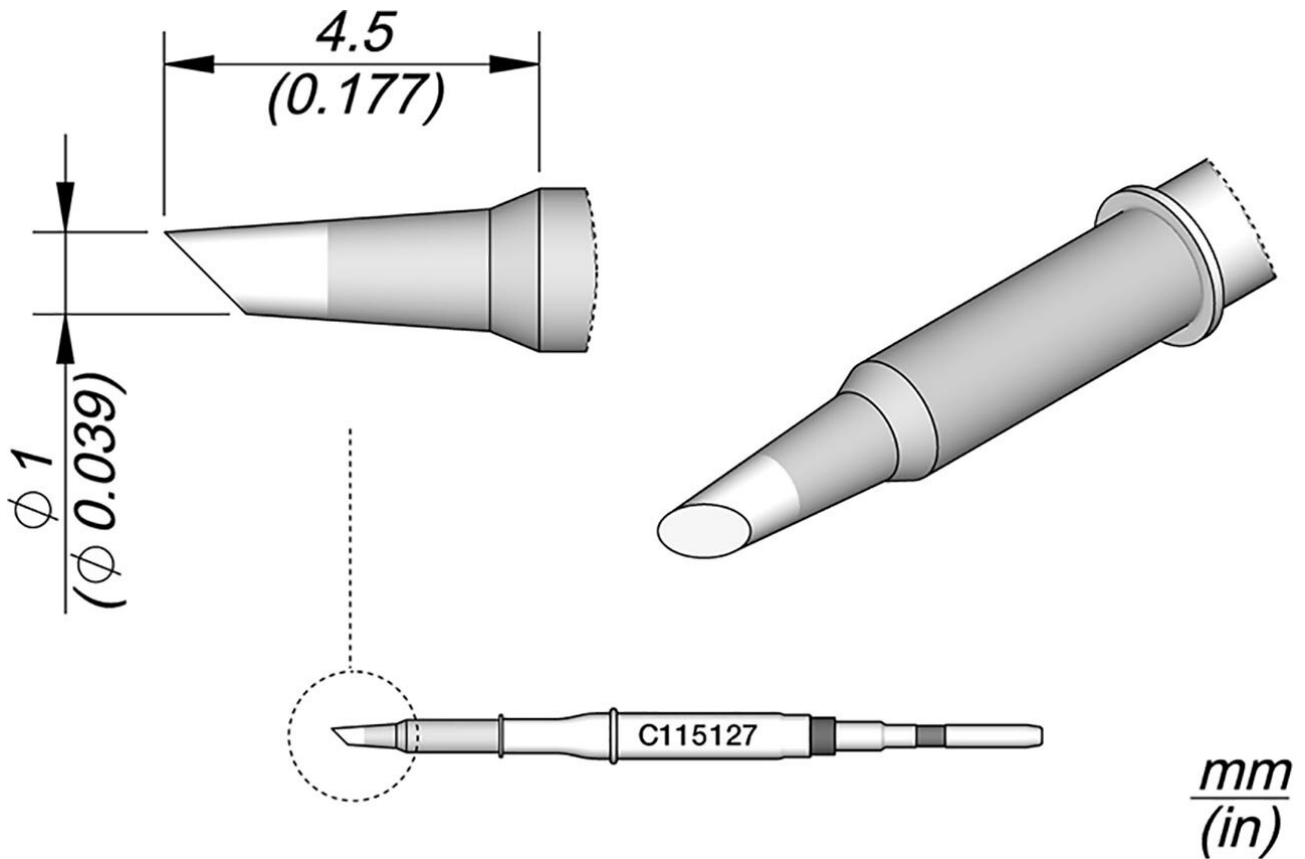


Soldering tip bevelled, D: 1 mm, C115127



The C115 series soldering tips are suitable for soldering and repairing very small components. These are compatible with NT115-A, NP115-A and AN115-A Nano soldering handpieces.

Item no.	WL45074
Model	C115-127
Manufacturer	JBC
Manufacturer article no.	C115127
GPSR manufacturer data	JBC Soldering SL Ramón y Cajal 3 ES-08750 Molins De Rei www.jbctools.com
Sales unit	1 piece
Content unit	1 piece

Diameter	1 mm
Incl. battery	no
Product series	C115
Tip series	C115
Tip length	4.5 mm
Tip width	3.8 mm
Tip thickness	0.7 mm
Tip shape	round
Tip alignment	sloped
Matching handpiece	AN115, NP115, NT115
Matching handpiece	NT115-A, NP115-A, AN115-A
ESD compliant	no