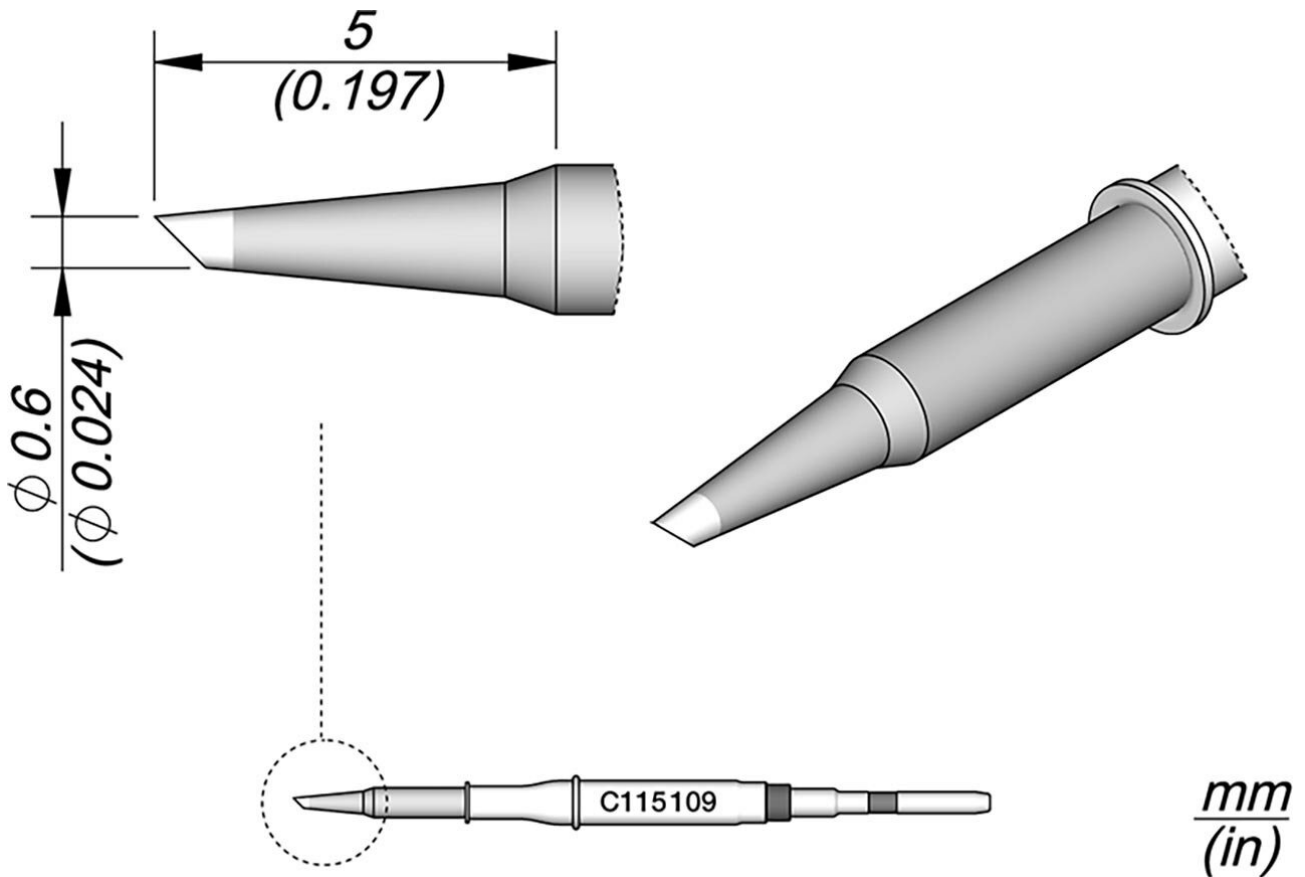


Soldering tip bevelled, D: 0.6 mm, C115109



The C115 series soldering tips are suitable for soldering and repairing very small components. These are compatible with NT115-A, NP115-A and AN115-A Nano soldering handpieces.

item number	WL45041
model	C115-109
manufacturer	JBC
manufacturer item number	C115109
GPSR manufacturer information	JBC Soldering SL Ramón y Cajal 3 ES-08750 Molins De Rei www.jbctools.com
order unit	1 piece
content unit	1 piece

Products for the electronic industry



product series	C115
Tip series	C115
tip length	5 mm
soldering tip diameter	0.6 mm
tip shape	conical
tip alignment	sloped
suitable handpiece	AN115, NP115, NT115
suitable handle	NT115-A, NP115-A, AN115-A
ESD safe	no