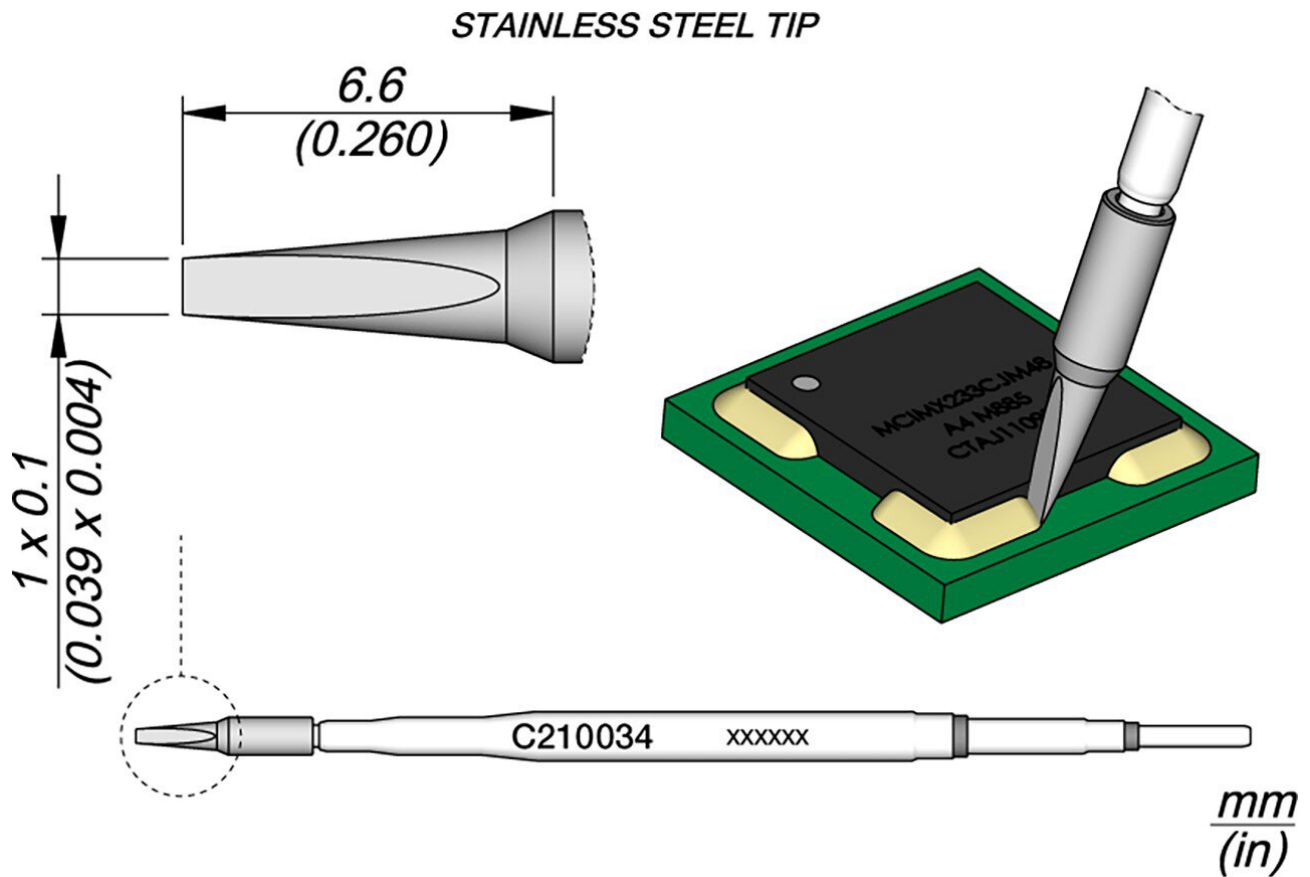


Conformal Coating Removal Cartridge 1 (not for soldering)



This cartridge with a stainless steel tip is perfect to remove reworkable underfill encapsulants.

They work with T210 Precision Handpieces.

JBC Long Life Tips offer instant heat up, excellent heat transfer and great durability.

They last 5 times longer than other brands thanks to the JBC Most Efficient Soldering System and the Sleep & Hibernation features.

C210034 - Conformal Coating Removal Cartridge 1 (not for soldering) □

item number	WL44767
model	C210-034
manufacturer	JBC

Products for the electronic industry



manufacturer item number	C210034
GPSR manufacturer information	JBC Soldering SL Ramón y Cajal 3 ES-08750 Molins De Rei www.jbctools.com
length with packaging	112 mm
width with packaging	12 mm
height with packaging	12 mm
order unit	1 piece
content unit	1 piece
product series	C210
Tip series	C210
tip shape	special form
tip alignment	straight
suitable handpiece	T210
suitable handle	T210,B-100,B-500
ESD safe	no