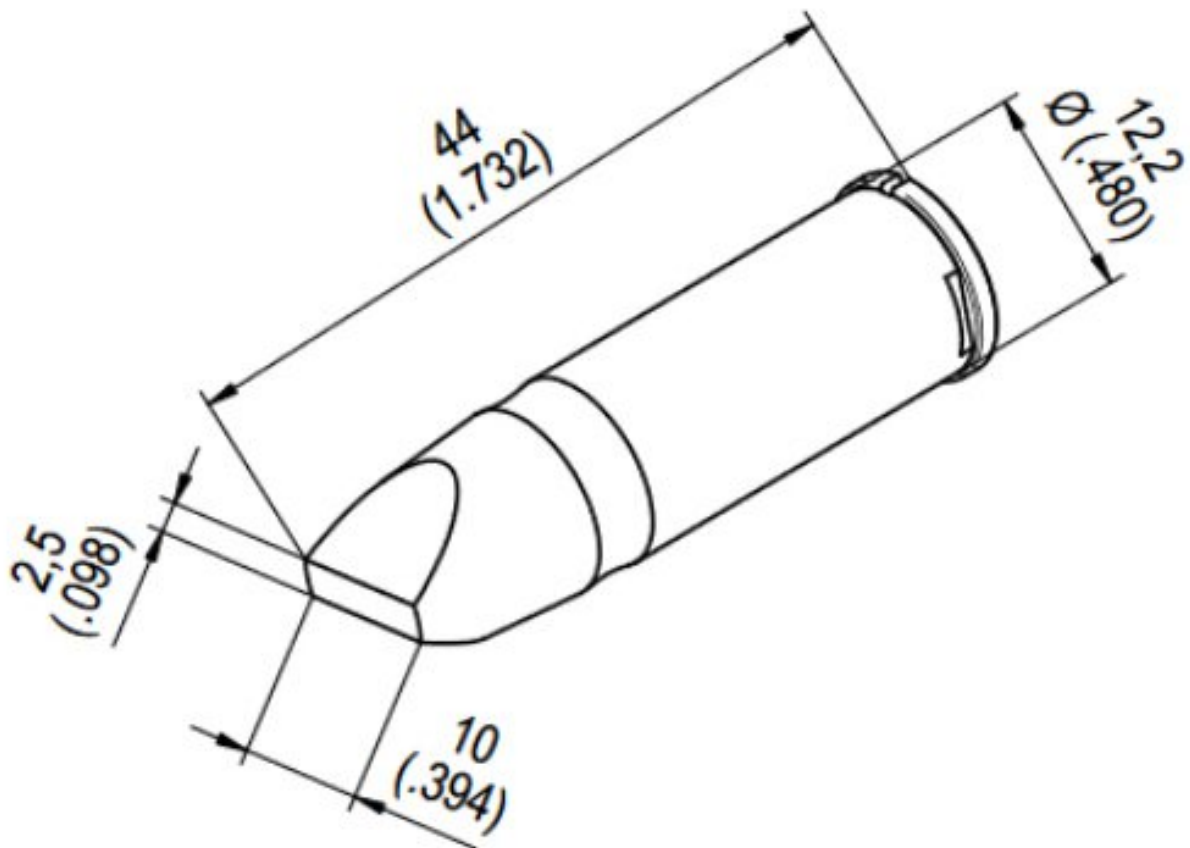


## Soldering tip for i-Tool HighPower, straight, chisel-shaped, 10 mm, 0242CDLF100



- Suitable for soldering iron HighPower-Tool (0240CDJ) of soldering station i-CON Vario HP in version 0ICV2000HP
- Continuous soldering tip, straight, chisel-shaped, 10 mm, with ERSADUR-LF coating

Item no.	WL44514
Model	0242CDLF100
Manufacturer	ERSA
Manufacturer article no.	0242CDLF100/SB
GPSR manufacturer data	ERSA GmbH Leonhard-Karl-Strasse 24 DE-97877 Wertheim www.ersa.de

Products for the electronic industry



Length	44 mm
Sales unit	1 piece
Content unit	1 piece
Total length	44 mm
Incl. battery	no
Product series	242
Tip series	242
Tip dimensions	10 x 2,5 mm
Tip shape	chisel-shaped
Tip alignment	straight
Matching handpiece	i-TOOL HP
ESD compliant	no

