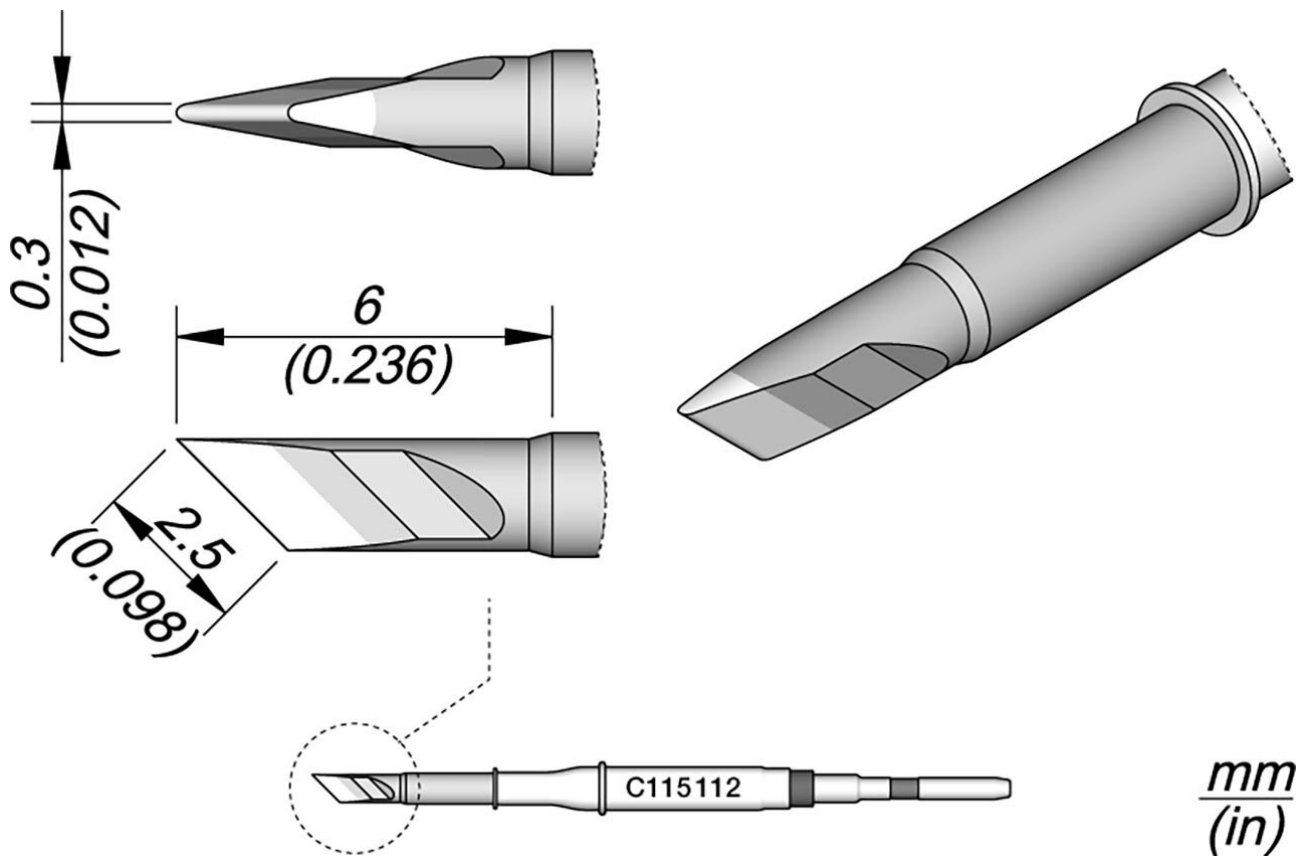


Knife-shaped soldering tip, 2.5 x 0.3 mm, C115112



The C115 series soldering tips are suitable for soldering and repairing very small components. These are compatible with NT115-A, NP115-A and AN115-A Nano soldering handpieces.

| | |
|--------------------------|---|
| Item no. | WL44503 |
| Model | C115-112 |
| Manufacturer | JBC |
| Manufacturer article no. | C115112 |
| GPSR manufacturer data | JBC Soldering SL Ramón y Cajal 3 ES-08750 Molins De Rei www.jbctools.com |
| Sales unit | 1 piece |
| Content unit | 1 piece |

| | |
|--------------------|---------------------|
| Incl. battery | no |
| Product series | C115 |
| Tip series | C115 |
| Tip dimensions | 2,5 x 0,3 mm |
| Tip length | 6 mm |
| Tip shape | knife-shaped |
| Tip alignment | sloped |
| Matching handpiece | AN115, NP115, NT115 |
| ESD compliant | no |