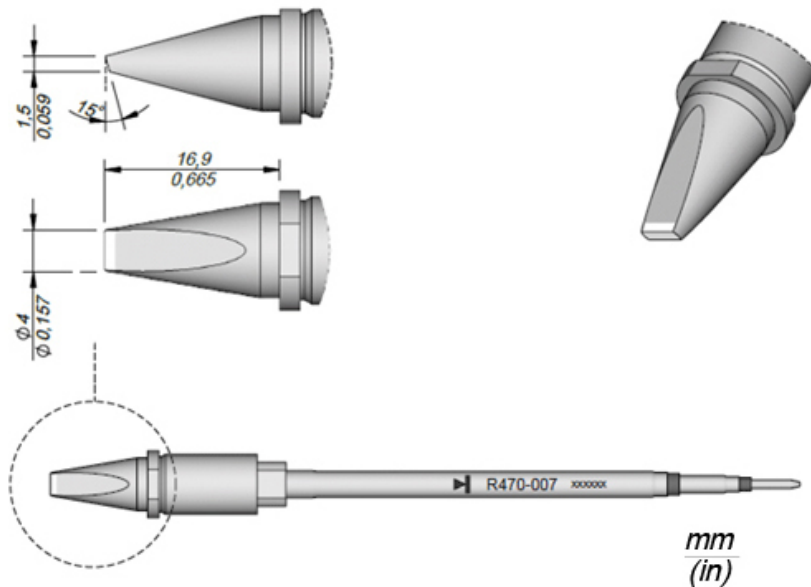


R470 soldering tip, chisel, 4 x 1.5 mm



Description

- for heat-intensive applications
- square cross section that perfectly centers the soldering tip in the soldering iron and ensures precise vertical positioning
- The soldering tip can be inserted in 4 different positions, which can be changed in 90° steps.

Product details

item number	WL44421
manufacturer	JBC
manufacturer item number	R470007
model	R470-007
order unit	piece
product series	R470
Tip series	R470
tip dimensions	4 x 1,5 mm

Products for the electronic industry



tip length	16.9 mm
tip shape	chisel-shaped
tip alignment	straight
suitable soldering iron	TR470, TRA470
suitable handle	TR470, TRA470

