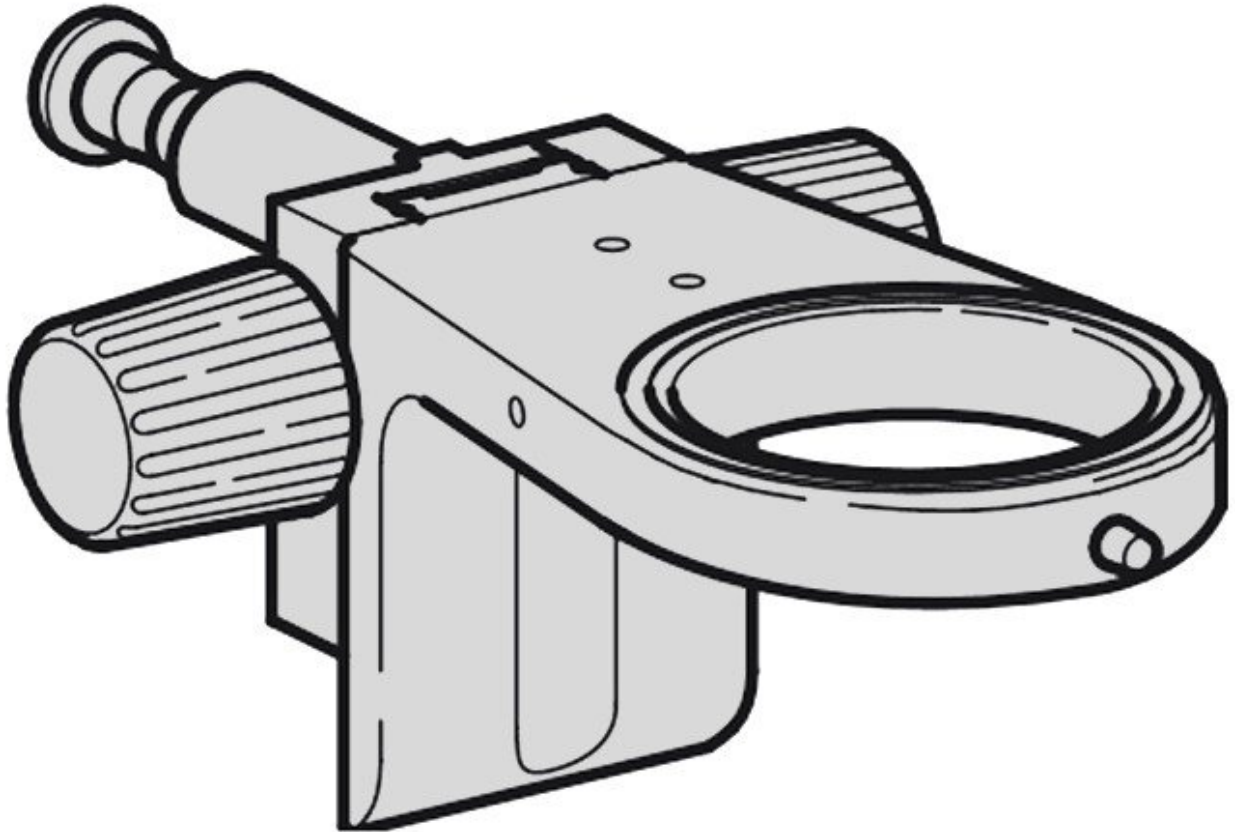


Focus arm, tiltable, S-series



- 76 mm interface, standardized spigot (15.8 mm)
- 51 mm Focusing distance
- for max. 6 kg equipment

Item no.	WL44194
Model	10447255
Manufacturer	LEICA
GPSR manufacturer data	LEICA Mikrosysteme Ernst-Leitz-Straße 17-37 DE-35578 Wetzlar www.leica-microsystems.com
Sales unit	1 piece
Content unit	1 piece

Products for the electronic industry



Incl. battery	no
ESD compliant	no

