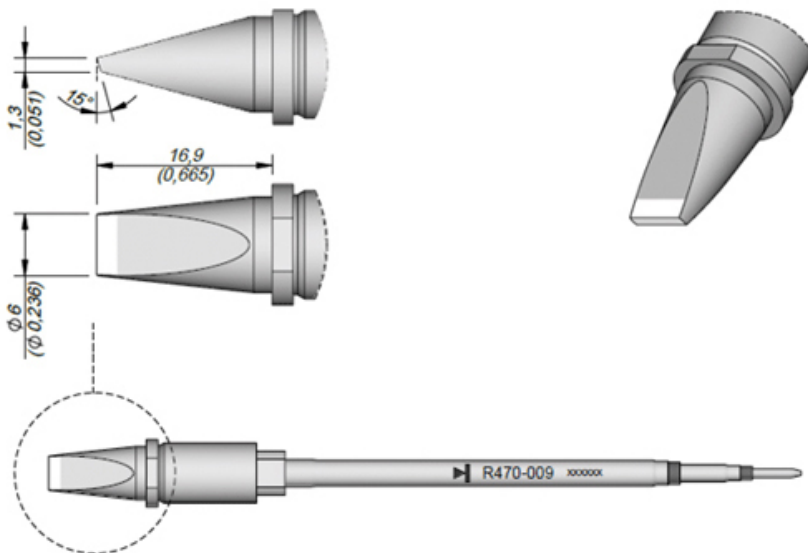


R470 soldering tip, chisel, 6 x 1.3 mm



Description

- for heat-intensive applications
- square cross section that perfectly centers the soldering tip in the soldering iron and ensures precise vertical positioning
- The soldering tip can be inserted in 4 different positions, which can be changed in 90° steps.

Product details

item number	WL43736
manufacturer	JBC
manufacturer item number	R470009
model	R470-009
order unit	piece
product series	R470
Tip series	R470
tip dimensions	6 x 1,3 mm
tip length	16.9 mm

Products for the electronic industry



tip shape	chisel-shaped
tip alignment	straight
suitable soldering iron	TR470, TRA470
suitable handle	TR470, TRA470

