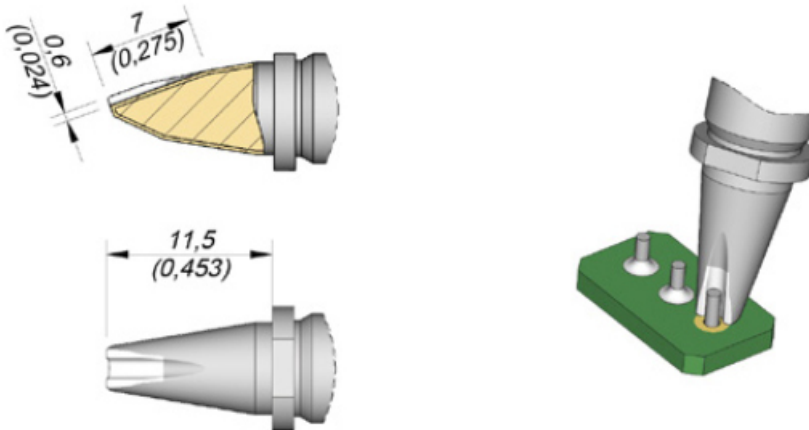


## Soldering tip R245, pin connector, D: 1.5 mm



### Description

- for automated processes
- for standard soldering applications
- Design incorporates a square cross-section that perfectly centers the soldering tip into the soldering irons and ensures precise vertical positioning
- this square cross section allows the soldering tip to be inserted in 4 different positions, which can be changed in 90° steps

### Product details

item number	WL43422
manufacturer	JBC
manufacturer item number	R245004
model	R245-004
order unit	piece
product series	R245
Tip series	R245
tip length	11.5 mm
tip application	for pin
tip shape	round

Products for the electronic industry



tip alignment	sloped
suitable soldering iron	TR245, TRA245
suitable handle	TR245, TRA245

