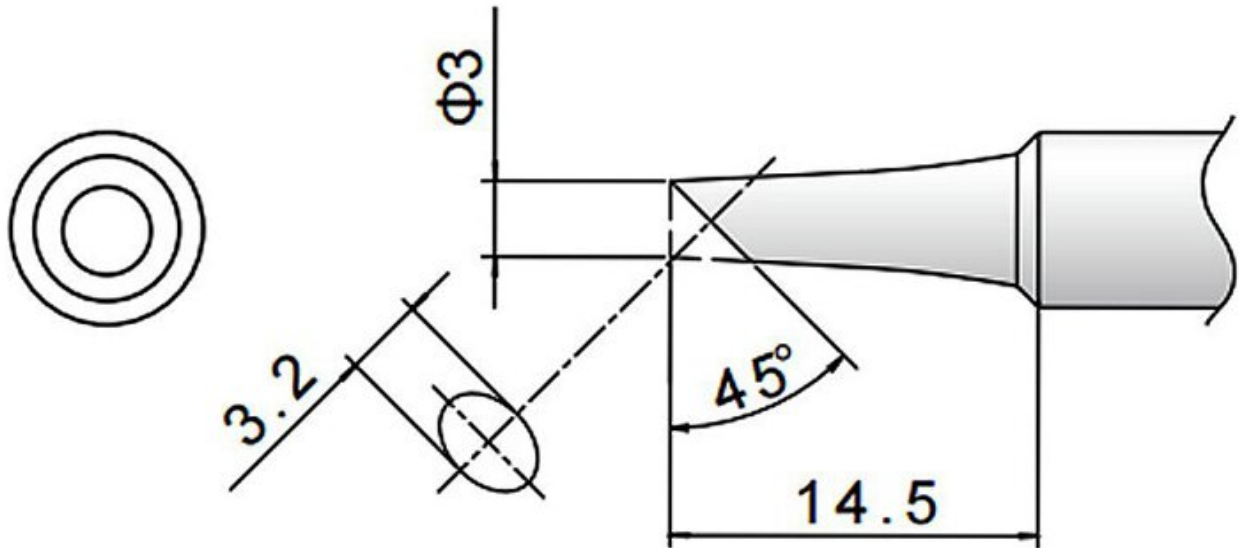


## Soldering tip format 3C



- for HAKKO soldering irons 907 / 913 / 951 / FX 8801 / FX 8802 / FX 8803

Item no.	WL42234
Model	T18-C3
Manufacturer	HAKKO
Manufacturer article no.	T18-C3
GPSR manufacturer data	TBK - Technisches Büro Kullik GmbH Industriestrasse 27 DE-56276 Großmaiseid www.kullik.com/
Length	125 mm
Width	48 mm
Height	7 mm
Sales unit	1 piece
Content unit	1 piece
Product series	T18
Tip series	T18
Tip length	14.5 mm
Soldering tip diameter	3 mm

Tip shape	round
Tip alignment	sloped
Matching handpiece	FX-8801
Matching handpiece	FX-8801, FX-8802, FX 8803, FX 600
ESD compliant	no

