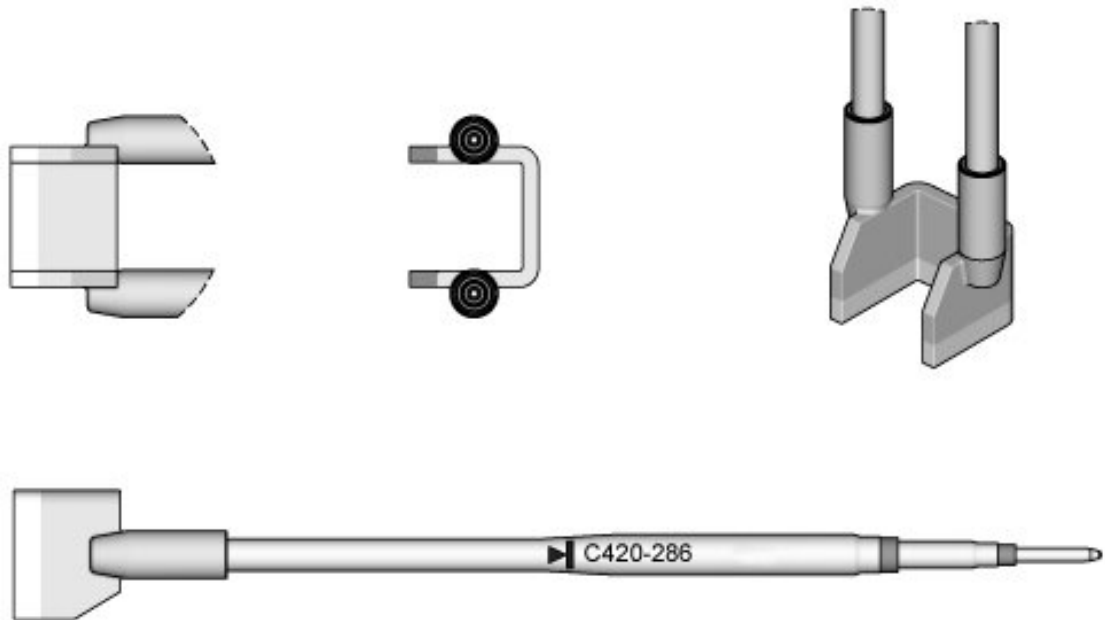


Soldering tip special, 15.6 x 14.3 mm, C420286



The C420 tip series are suitable for soldering and desoldering SMD components. The soldering tips are compatible with the thermo tweezers HT420 and are sold separately.

Item no.	WL41679
Model	C420-286
Manufacturer	JBC
Manufacturer article no.	C420286
GPSR manufacturer data	JBC Soldering SL Ramón y Cajal 3 ES-08750 Molins De Rei www.jbctools.com
Length with packaging	125 mm
Width with packaging	31 mm
Height with packaging	31 mm
Sales unit	1 piece
Content unit	1 piece
Product series	C420

Products for the electronic industry



Tip series	C420
Incl. integrated heating	yes
Tip shape	special form
Tip alignment	straight
Matching desoldering tweezers	HT420, AT420
Matching handpiece	AT420, HT420
Matching handpiece	HT420, AT420
ESD compliant	no

