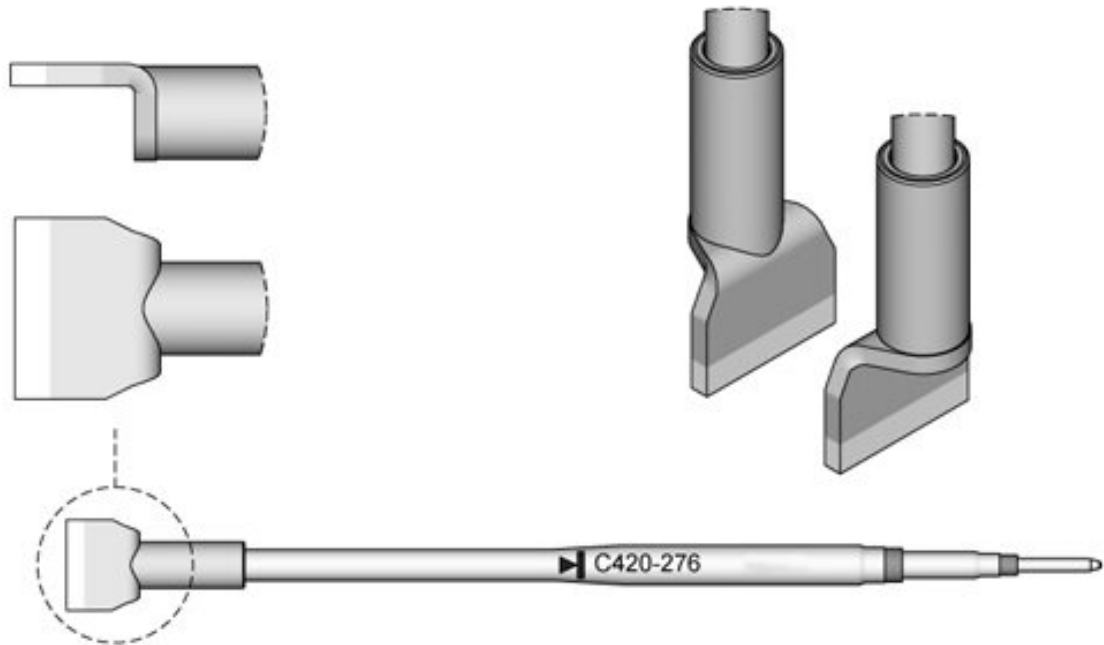


Blade-shaped soldering tip, 10 x 1.2 mm, C420276



The C420 tip series are suitable for soldering and desoldering SMD components. The soldering tips are compatible with the thermo tweezers HT420 and are sold separately.

Item no.	WL41672
Model	C420-276
Manufacturer	JBC
Manufacturer article no.	C420276
GPSR manufacturer data	JBC Soldering SL Ramón y Cajal 3 ES-08750 Molins De Rei www.jbctools.com
Length with packaging	170 mm
Width with packaging	28 mm
Height with packaging	20 mm
Sales unit	1 piece
Content unit	1 piece
Product series	C420

Products for the electronic industry



Tip series	C420
Incl. integrated heating	yes
Tip dimensions	10 x 1,2 mm
Tip applications	for Dual-in-Line IC
Tip shape	blade-shaped
Tip alignment	straight
Matching desoldering tweezers	HT420, AT420
Matching handpiece	AT420, HT420
Matching handpiece	HT420, AT420
ESD compliant	no