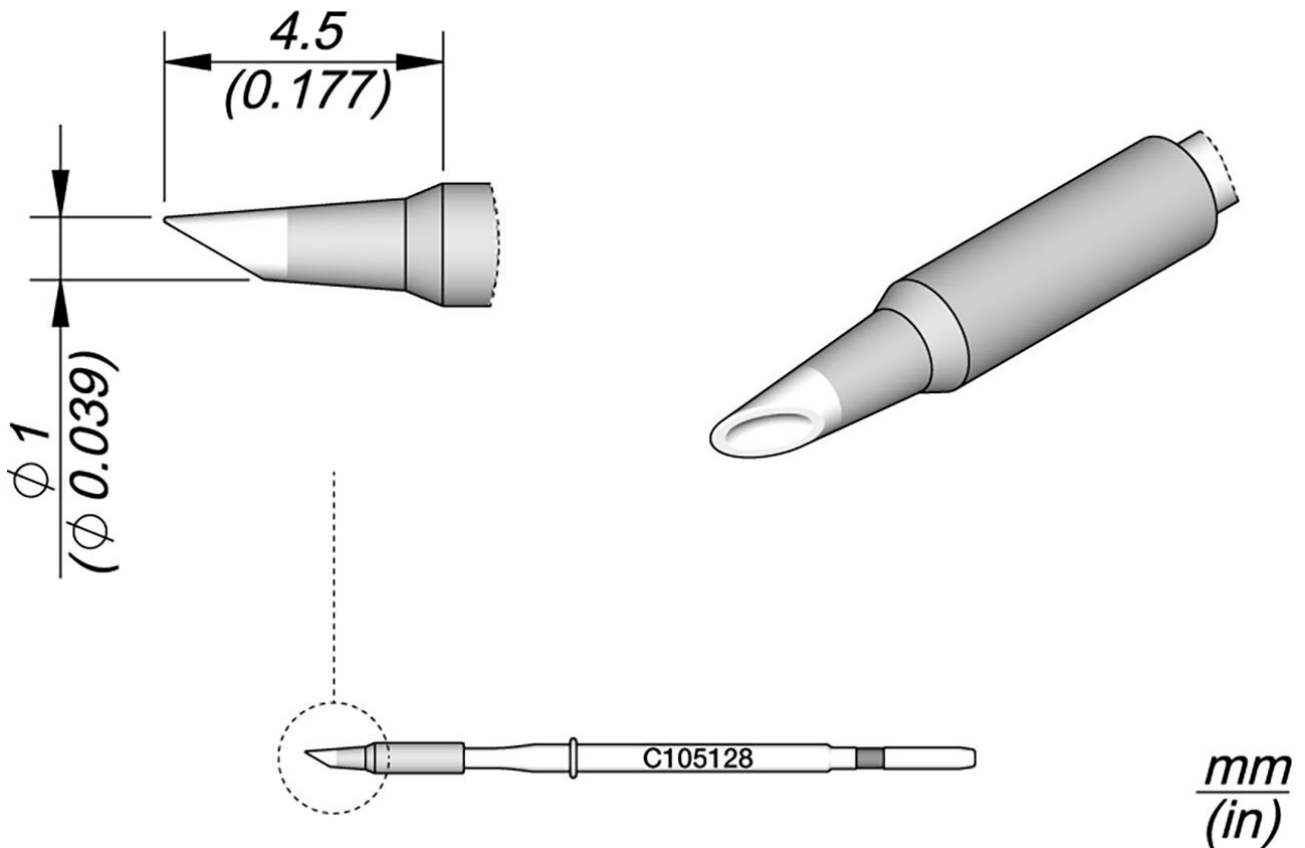


## Soldering tip concave, D: 1 mm, C105128



The soldering tips of the C105 series are the smallest tips of the JBC series and are ideal for soldering and repairing very small components. These are compatible with the NT105 and NP105 nano handpieces.

Item no.	<b>WL39749</b>
Model	C105-128
Manufacturer	JBC
Manufacturer article no.	C105128
GPSR manufacturer data	JBC Soldering SL Ramón y Cajal 3 ES-08750 Molins De Rei www.jbctools.com
Length with packaging	106 mm
Width with packaging	45 mm

Height with packaging	12 mm
Sales unit	1 piece
Content unit	1 piece
Incl. battery	no
Product series	C105
Tip series	C105
Incl. integrated heating	yes
Tip length	4.5 mm
Soldering tip diameter	1 mm
Tip shape	hollow profile
Tip alignment	sloped
Matching desoldering tweezers	NT105, NP105
Matching handpiece	NP105, NT105
Matching handpiece	NT105, NP105
ESD compliant	no