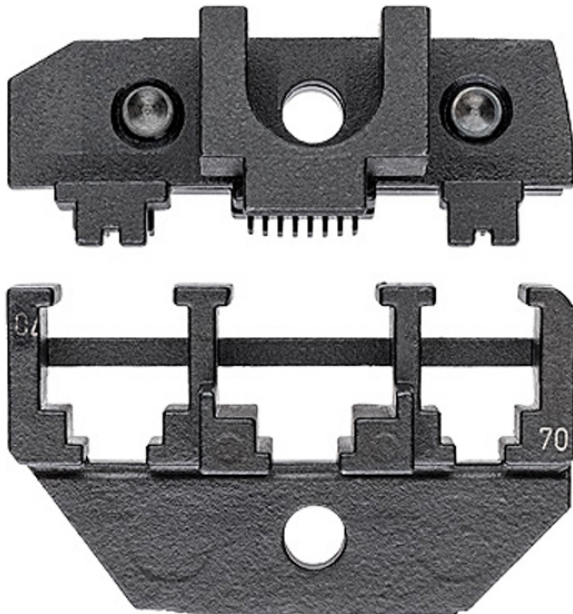


Crimp insert Western plug



Description

Application: Western plug 4/6/8-pin RJ 10, 11, 12, 45 - Nominal size: RJ 10 / 11 / 12 / 45 - Application: Solar connector MC4 (Multi-Contact) - Capacity square millimetres: 4 - 10mm² - Capacity square millimetres: 4/6/8-pin RJ 10; 11; 12; 45 - Number of nests: 3

- Application Western plug
- Capacity: 4/6/8-pin RJ 10; 11; 12; 45
- Number of nests: 3

Product details

item number	WL38867
model	97 49 70
manufacturer	KNIPEX
manufacturer item number	97 49 70
dimensions (LxWxH)	80 mm x 50 mm x 32 mm
dimensions with packaging (LxWxH)	66 mm x 51 mm x 33 mm

Products for the electronic industry



Packaging volume	0.111 dm ³
order unit	set
type of packaging	single pack
RoHS conform	no
crimp profile	Western crimp
application crimp	Solar Connector MC4 (Multi-Contact).
VDE	no
Number of crimp nests	3
type of pliers	crimp insert