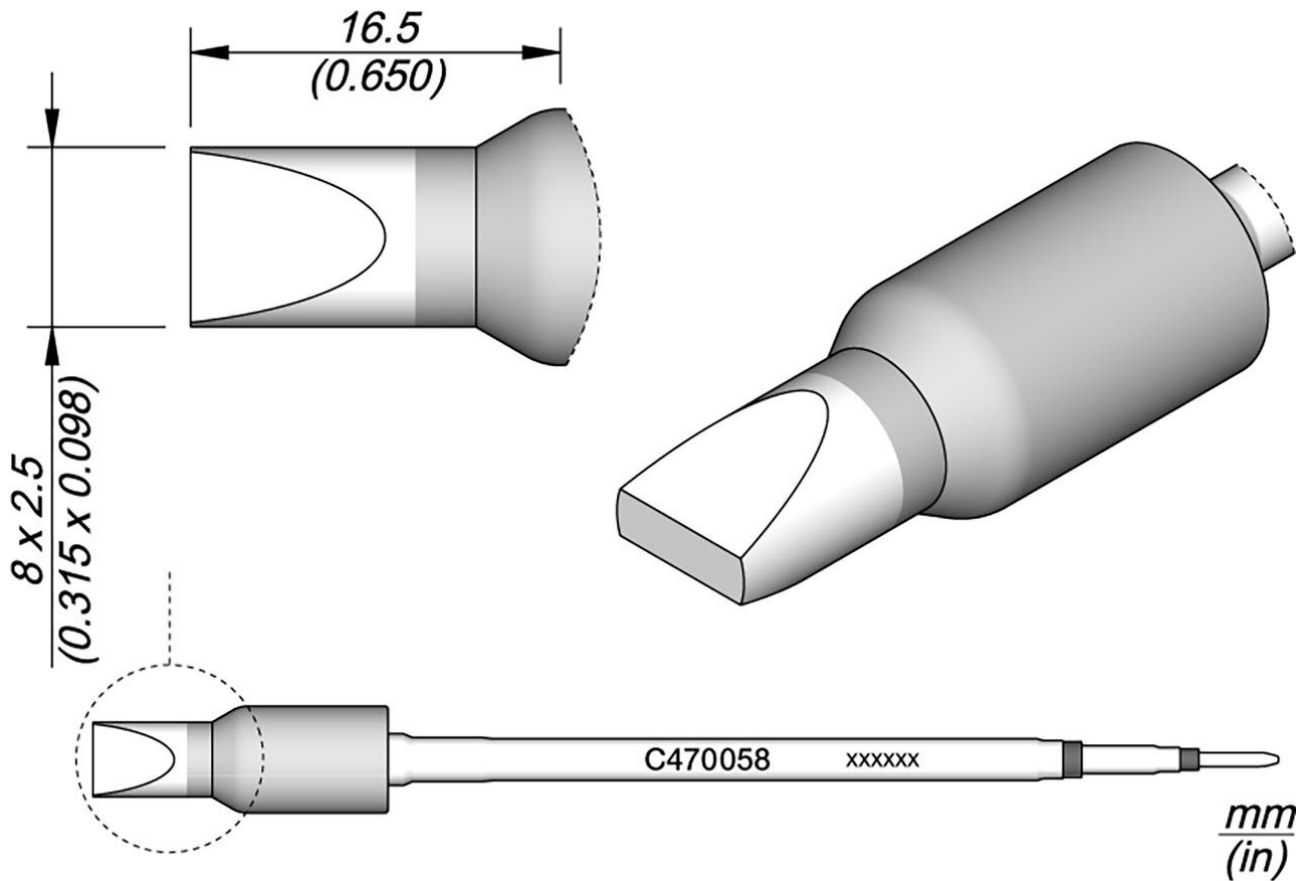


Soldering tip chisel-shaped, 8 x 2.5 mm, C470058



for use up to 500 °C with supply unit HDE (formerly HD-4700)

Item no.	WL37349
Model	C470-058
Manufacturer	JBC
Manufacturer article no.	C470058
GPSR manufacturer data	JBC Soldering SL Ramón y Cajal 3 ES-08750 Molins De Rei www.jbctools.com
Length with packaging	183 mm
Width with packaging	60 mm
Height with packaging	34 mm

Products for the electronic industry



Sales unit	1 piece
Content unit	1 piece
Incl. battery	no
Product series	C470
Tip series	C470
Incl. integrated heating	yes
Tip dimensions	8 x 2,5 mm
Tip length	16.5 mm
Tip shape	chisel-shaped
Tip alignment	straight
Matching handpiece	T470
ESD compliant	no

