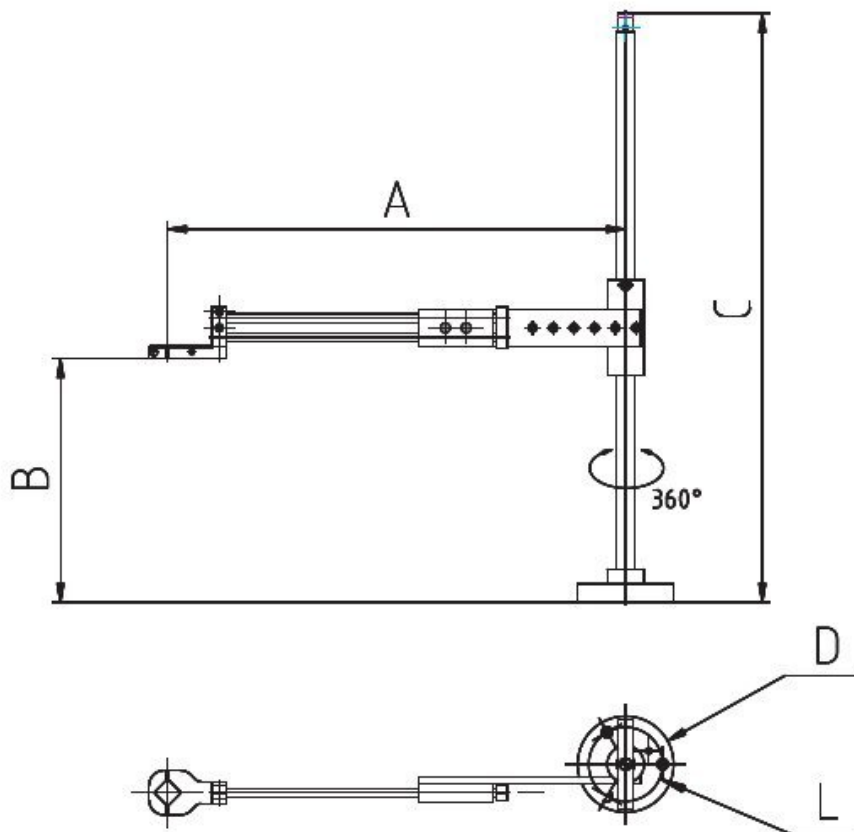


Support arm with 2 linear guides, extension 450 mm, adapter 36 - 50 mm



- Stroke/working radius: extension is 450 mm (A)
- Full working radius 360°
- Maximum load capacity - 4 kg
- Vertical stroke - 650 mm (B)
- Mounting type - 3 bolts (D-L)

Item no.	WL36806
Model	TLF-0845-50
Manufacturer	WEIDINGER
Manufacturer article no.	900424
GPSR manufacturer data	Weidinger GmbH

Products for the electronic industry



Hertha-Sponer-Str. 1a
DE-82216 Gernlinden
www.weidinger.eu

Sales unit	1 piece
Content unit	1 piece

