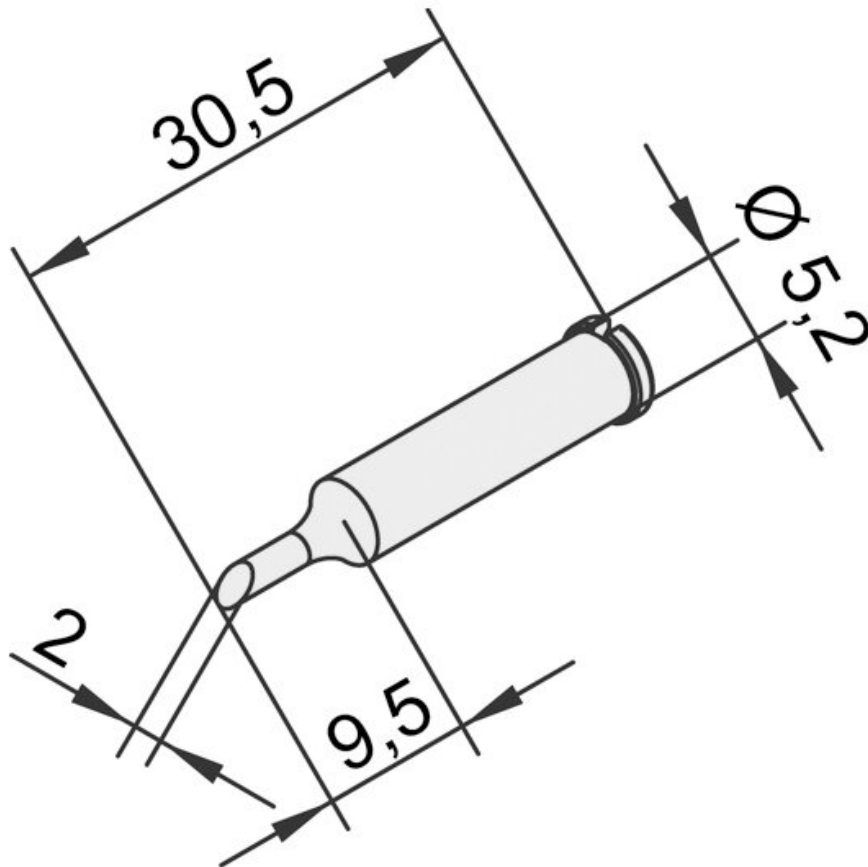


## Soldering tip for i-Tool, straight, bevelled, 2 mm, 0102ADLF20



- Suitable for the soldering iron i-Tool (i-Tool) of the soldering station i-CON in the versions 01C1000A, 01C1100A, 01C1100V, 01C2000A, 01C2000AIT, 01C2000AC and 01C2000AXT, 01C2200V, 01C2200VC, 01C2200VIT, 01C2200VXT, 01C2100VC, 01C2100VXT
- ERSA i-Tip continuous soldering tip series with ERSADUR-LF coating for the i-TOOL

Item no.	WL36452
Model	102AD-LF20
Manufacturer	ERSA
Manufacturer article no.	0102ADLF20/SB
GPSR manufacturer data	ERSA GmbH Leonhard-Karl-Strasse 24 DE-97877 Wertheim www.ersa.de

Length	31 mm
Length with packaging	100 mm
Width with packaging	60 mm
Height with packaging	5 mm
Sales unit	1 piece
Content unit	1 piece
Total length	30.5 mm
Product series	102
RoHS compliant	yes
Tip series	102
Inner diameter (shaft)	3.5 mm
Outer diameter (shaft)	5.2 mm
Soldering tip diameter	2 mm
Tip shape	tapered
Tip alignment	straight
Coating of the soldering tip	permanent soldering tip
Matching handpiece	i-TOOL, i-TOOL NANO, i-TOOL PICO
Matching handpiece	i-Tool
ESD compliant	no