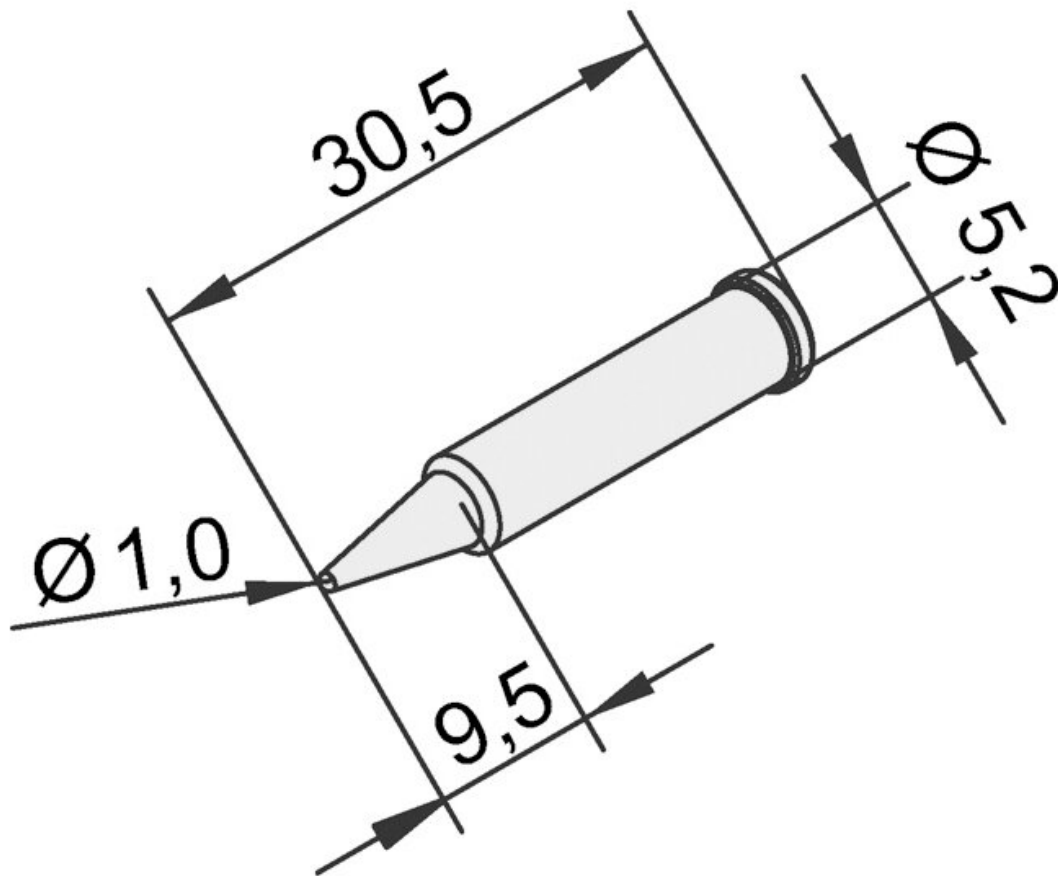


Soldering tip for i-Tool, straight, pencil tip, 1mm, 0102PDLF10



- Suitable for the soldering iron i-Tool (i-Tool) of the soldering station i-CON in the versions 01C1000A, 01C1100A, 01C1100V, 01C2000A, 01C2000AIT, 01C2000AC and 01C2000AXT, 01C2200V, 01C2200VC, 01C2200VIT, 01C2200VXT, 01C2100VC, 01C2100VXT
- ERSA i-Tip continuous soldering tip series with ERSADUR-LF coating for the i-TOOL

item number	WL36144
model	102PD-LF10
manufacturer	ERSA
manufacturer item number	0102PDLF10/SB
GPSR manufacturer information	ERSA GmbH Leonhard-Karl-Strasse 24 DE-97877 Wertheim www.ersa.de

length	31 mm
length with packaging	100 mm
width with packaging	60 mm
height with packaging	5 mm
order unit	1 piece
content unit	1 piece
total length	30.5 mm
product series	102
RoHS conform	yes
Tip series	102
inner diameter shaft	3.5 mm
outer diameter shaft	5.2 mm
soldering tip diameter	1 mm
tip shape	pencil pointed
tip alignment	straight
coating soldering tip	permanent soldering tip
suitable handpiece	i-TOOL, i-TOOL NANO, i-TOOL PICO
suitable handle	i-Tool
ESD safe	no