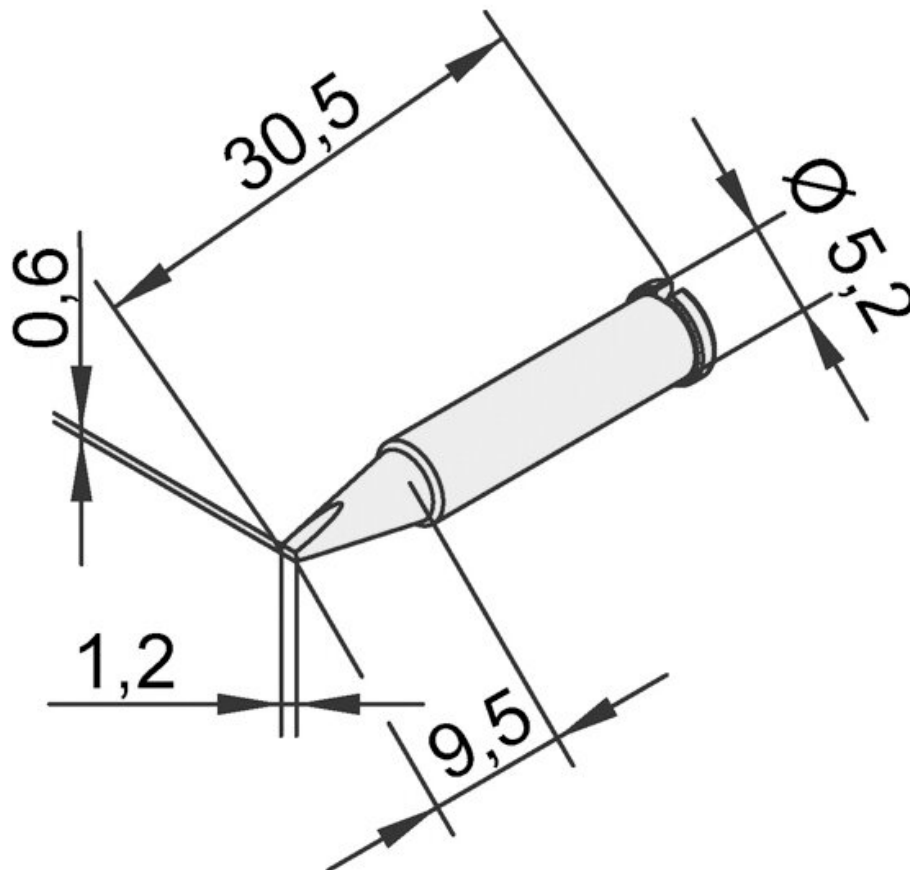


## Soldering tip for i-Tool, straight, chisel-shaped, 1.2 mm, 0102CDLF12



- Suitable for the soldering iron i-Tool (i-Tool) of the soldering station i-CON in the versions 01C1000A, 01C1100A, 01C1100V, 01C2000A, 01C2000AIT, 01C2000AC and 01C2000AXT, 01C2200V, 01C2200VC, 01C2200VIT, 01C2200VXT, 01C2100VC, 01C2100VXT
- ERSA i-Tip continuous soldering tip series with ERSADUR-LF coating for the i-TOOL

item number	WL36127
model	102CD-LF12
manufacturer	ERSA
manufacturer item number	0102CDLF12/SB
length	31 mm
length with packaging	100 mm

Products for the electronic industry



width with packaging	60 mm
height with packaging	5 mm
order unit	1 piece
content unit	1 piece
total length	30.5 mm
product series	102
RoHS conform	yes
Tip series	102
inner diameter shaft	3.5 mm
outer diameter shaft	5.2 mm
soldering tip diameter	1.2 mm
tip shape	chisel-shaped
tip alignment	straight
coating soldering tip	permanent soldering tip
suitable handpiece	i-TOOL, i-TOOL NANO, i-TOOL PICO
suitable handle	i-Tool
ESD safe	no