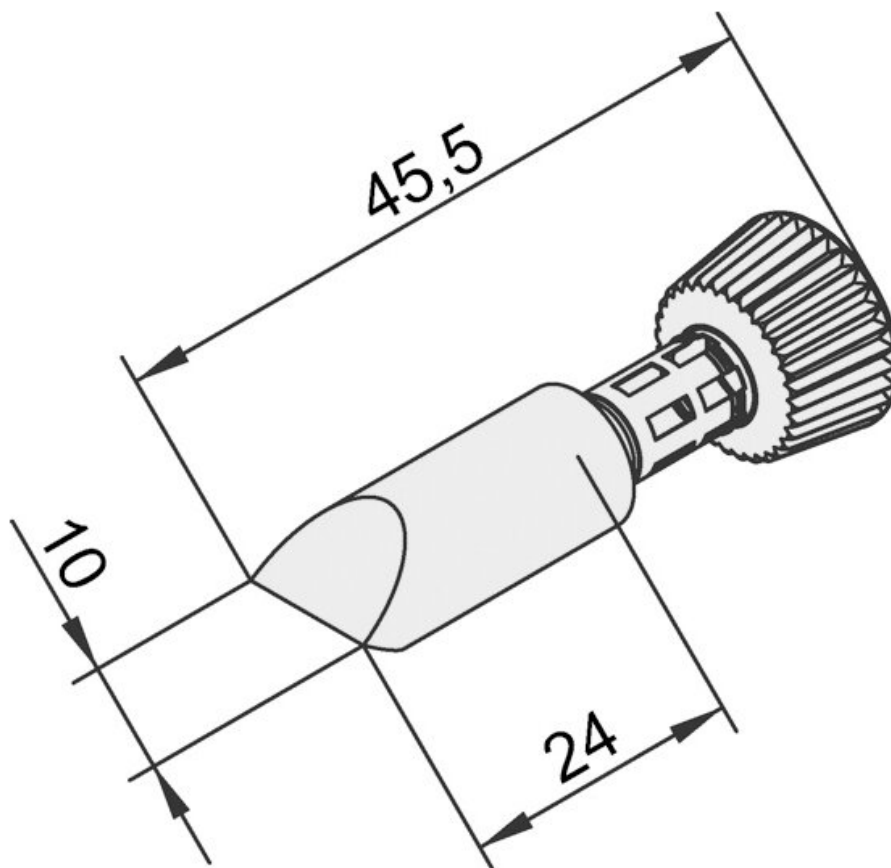


Soldering tip for i-Tool, straight, chisel-shaped, 10.0 mm, 0102CDLF100



- Suitable for the soldering iron i-Tool (i-Tool) of the soldering station i-CON in the versions 01C1000A, 01C1100A, 01C1100V, 01C2000A, 01C2000AIT, 01C2000AC and 01C2000AXT, 01C2200V, 01C2200VC, 01C2200VIT, 01C2200VXT, 01C2100VC, 01C2100VXT
- ERSA i-Tip continuous soldering tip series with ERSADUR-LF coating for the i-TOOL

Item no.	WL36125
Model	102CD-LF100
Manufacturer	ERSA
Manufacturer article no.	0102CDLF100/SB
GPSR manufacturer data	ERSA GmbH Leonhard-Karl-Strasse 24 DE-97877 Wertheim

www.ersa.de

Length	46 mm
Length with packaging	100 mm
Width with packaging	60 mm
Height with packaging	15 mm
Sales unit	1 piece
Content unit	1 piece
Total length	45.5 mm
Product series	102
RoHS compliant	yes
Tip series	102
Inner diameter (shaft)	3.5 mm
Outer diameter (shaft)	5.2 mm
Soldering tip diameter	10 mm
Tip shape	chisel-shaped
Tip alignment	straight
Coating of the soldering tip	permanent soldering tip
Matching handpiece	i-TOOL, i-TOOL NANO, i-TOOL PICO
Matching handpiece	i-Tool
ESD compliant	no