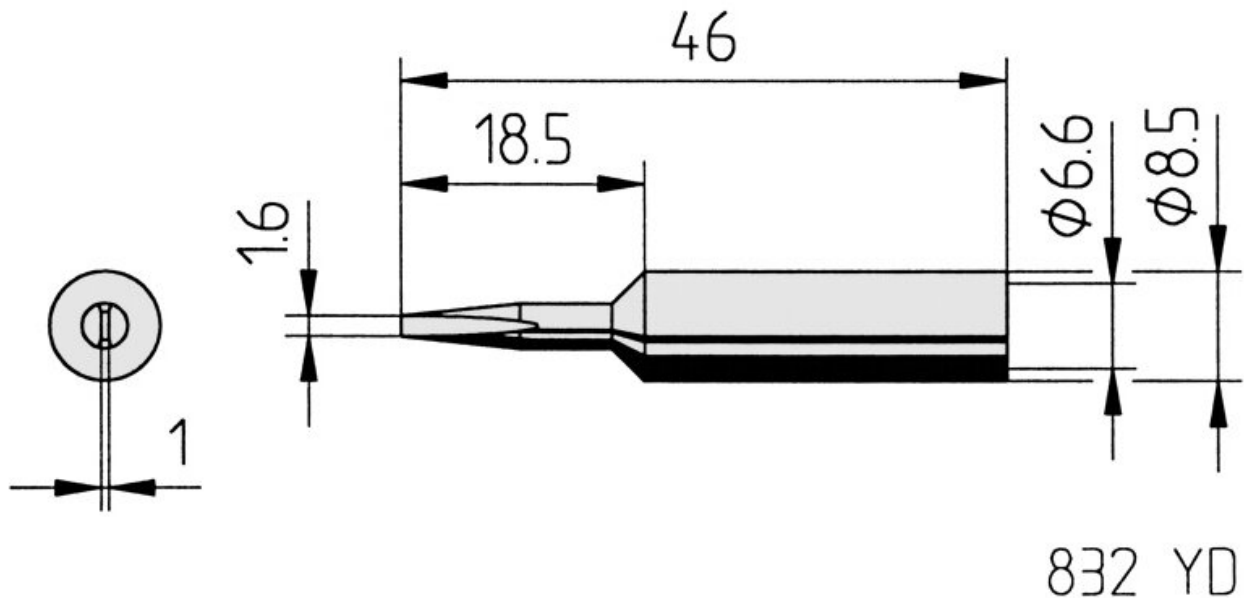


Soldering tip, straight, chisel-shaped, 1.6 mm, 0832YDLF



- Continuous soldering tip, straight, chisel-shaped, 1.6 mm wide, with ERSADUR-LF coating (lead-free soldering) for increased service life.
- suitable for soldering stations ANANLOG60, ANALOG60A, DIGITAL80, DIGITAL80A, DIGITAL2000A, RDS80, MICRO-CON60, TWIN80A, ELS8000/M/D, MS6000 as well as MS8000

Item no.	WL36120
Model	832YD-LF
Manufacturer	ERSA
Manufacturer article no.	0832YDLF/SB
GPSR manufacturer data	ERSA GmbH Leonhard-Karl-Strasse 24 DE-97877 Wertheim www.ersa.de
Length	46 mm
Length with packaging	90 mm
Width with packaging	60 mm
Height with packaging	10 mm
Sales unit	1 piece

Products for the electronic industry



Content unit	1 piece
Total length	46 mm
Incl. battery	no
Product series	832
RoHS compliant	yes
Tip series	832
Inner diameter (shaft)	6.6 mm
Outer diameter (shaft)	8.5 mm
Soldering tip diameter	1.6 mm
Tip shape	chisel-shaped
Tip alignment	straight
Coating of the soldering tip	permanent soldering tip
Matching handpiece	BASIC TOOL, ERGO TOOL, MULTI-PRO, MULTI-SPRINT, MULTI-TC, POWER-TOOL, PTC 70
Matching handpiece	Power-Tool, Ergo-Tool, Multi-Pro, Multi-TC, PTC 70 und Multi-Sprint
ESD compliant	no