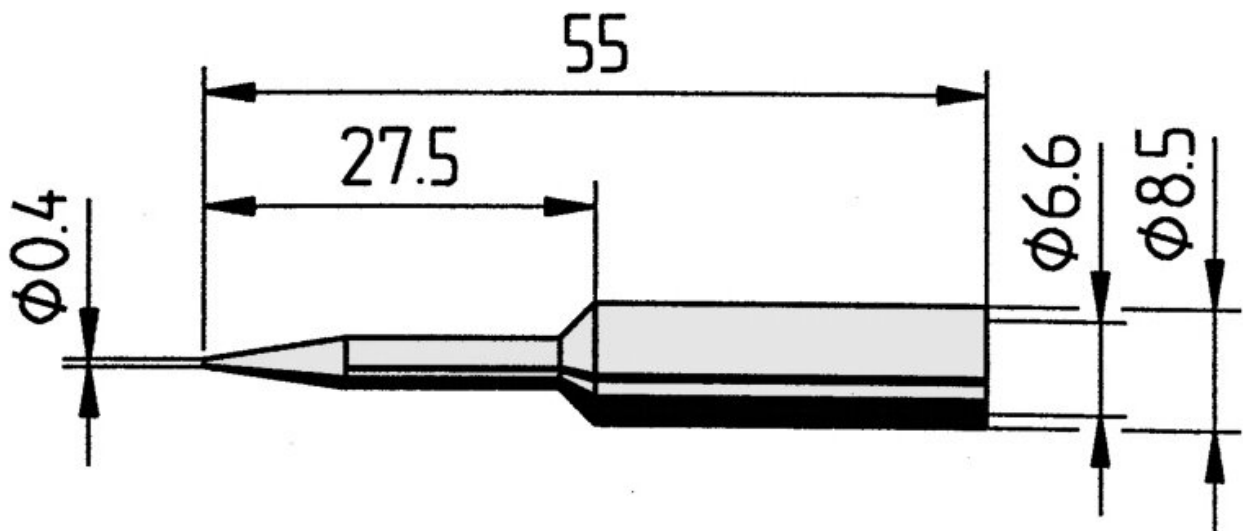


## Soldering tip, straight, extended, pencil tip, 0.4 mm, 0832UDLF



- Continuous soldering tip, straight, extended, pencil tip, 0.4 mm diameter with ERSADUR-LF coating (lead-free soldering) for increased tool life.
- suitable for soldering stations ANANLOG60, ANALOG60A, DIGITAL80, DIGITAL80A, DIGITAL2000A, RDS80, MICRO-CON60, TWIN80A, ELS8000/M/D, MS6000 as well as MS8000

item number	WL36116
model	832UD-LF
manufacturer	ERSA
manufacturer item number	0832UDLF/SB
GPSR manufacturer information	ERSA GmbH Leonhard-Karl-Strasse 24 DE-97877 Wertheim www.ersa.de
length	55 mm
length with packaging	90 mm
width with packaging	60 mm
height with packaging	10 mm
order unit	1 piece

Products for the electronic industry



content unit	1 piece
total length	55 mm
product series	832
RoHS conform	yes
Tip series	832
inner diameter shaft	6.6 mm
outer diameter shaft	8.5 mm
soldering tip diameter	0.4 mm
tip shape	pencil pointed
tip alignment	straight
coating soldering tip	permanent soldering tip
suitable handpiece	BASIC TOOL, ERGO TOOL, MULTI-PRO, MULTI-SPRINT, MULTI-TC, POWER-TOOL, PTC 70
suitable handle	Power-Tool, Ergo-Tool, Multi-Pro, Multi-TC, PTC 70 und Multi-Sprint
ESD safe	no