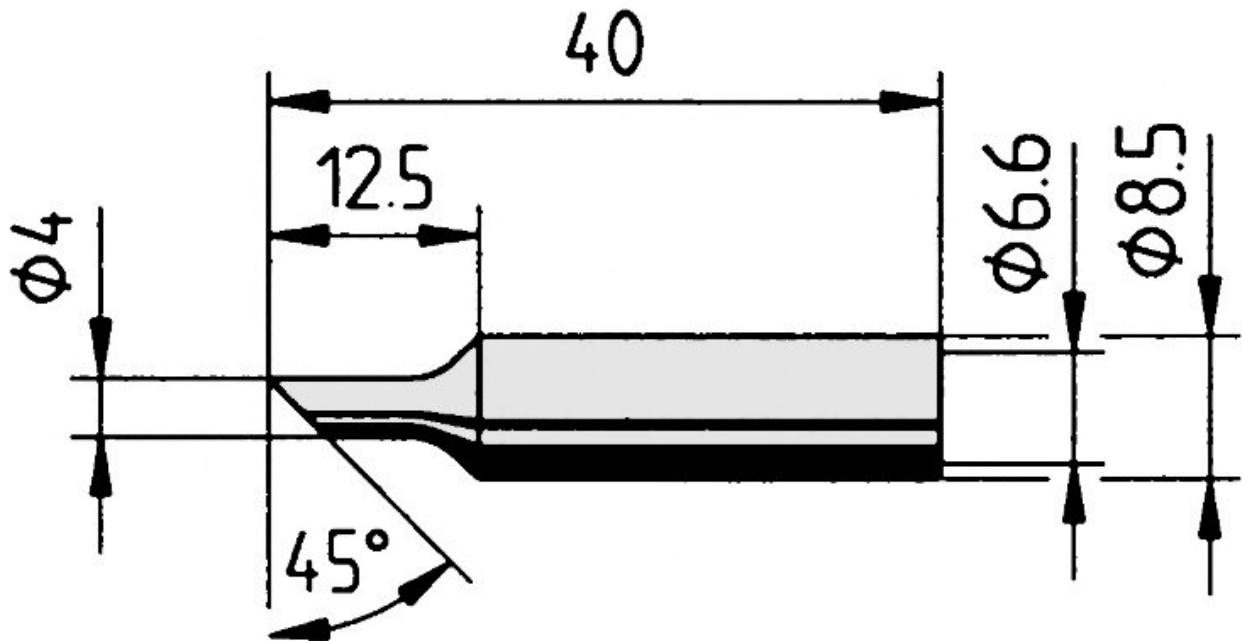


## Soldering tip straight, bevelled, 4.0 mm, 0832NDLF



- Continuous soldering tip, straight, bevelled 45° angle, 4.0 mm diameter, with ERSADUR-LF coating (lead-free soldering) for increased service life.
- suitable for soldering stations ANANLOG60, ANALOG60A, DIGITAL80, DIGITAL80A, DIGITAL2000A, RDS80, MICRO-CON60, TWIN80A, ELS8000/M/D, MS6000 as well as MS8000

item number	WL36111
model	832ND-LF
manufacturer	ERSA
manufacturer item number	0832NDLF/SB
GPSR manufacturer information	ERSA GmbH Leonhard-Karl-Strasse 24 DE-97877 Wertheim www.ersa.de
length	40 mm
length with packaging	90 mm
width with packaging	60 mm
height with packaging	10 mm

Products for the electronic industry



order unit	1 piece
content unit	1 piece
total length	40 mm
product series	832
RoHS conform	yes
Tip series	832
inner diameter shaft	6.6 mm
outer diameter shaft	8.5 mm
soldering tip diameter	4 mm
tip shape	tapered
tip alignment	straight
coating soldering tip	permanent soldering tip
suitable handpiece	BASIC TOOL, ERGO TOOL, MULTI-PRO, MULTI-SPRINT, MULTI-TC, POWER-TOOL, PTC 70
suitable handle	Power-Tool, Ergo-Tool, Multi-Pro, Multi-TC, PTC 70 und Multi-Sprint
ESD safe	no