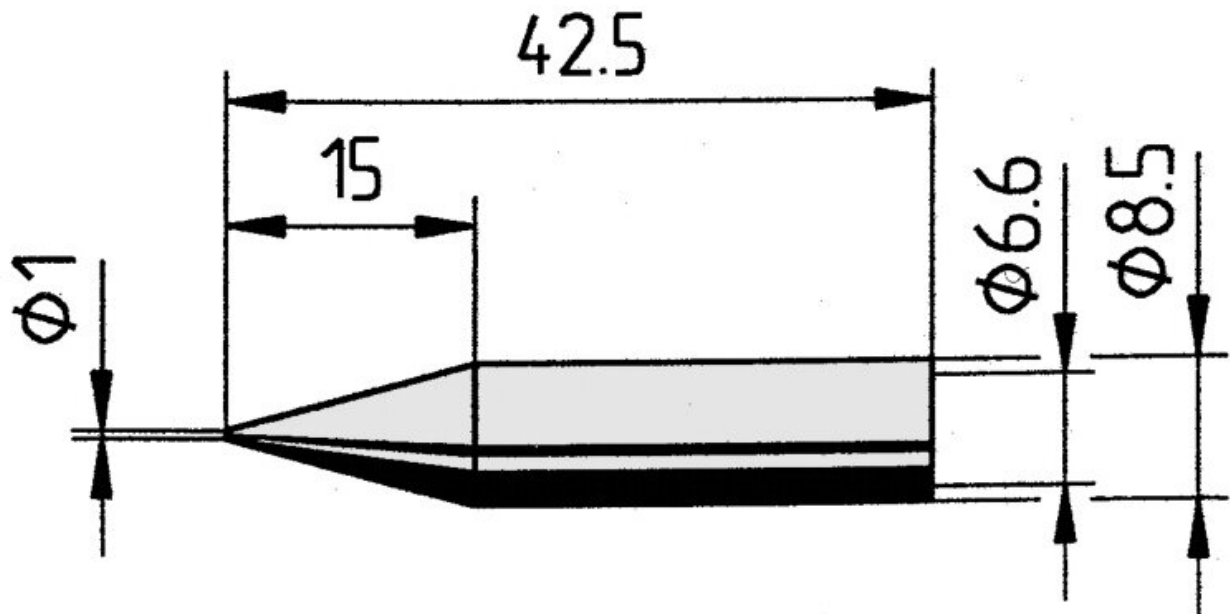


Soldering tip, straight, pencil tip, 1.0 mm, 0842BD



- Continuous soldering tip, straight, pencil tip, 1.0 mm diameter, with ERSADUR coating with increased service life for increased heat demand.
- suitable for soldering stations ANANLOG 60, ANANLOG 60 A, ANANLOG 80, ANANLOG 80 A, DIGITAL 80 A, DIGITAL 2000 A version with soldering iron Power tool, Multi-Pro, Multi-Sprint, Multi-TC and PTC 70, RDS 80, MICRO-CON 60 iA with soldering iron Power tool, TWIN 80 A with soldering iron Ergo tool

Item no.	WL36040
Model	842BD
Manufacturer	ERSA
Manufacturer article no.	0842BD/SB
GPSR manufacturer data	ERSA GmbH Leonhard-Karl-Strasse 24 DE-97877 Wertheim www.ersa.de
Length	43 mm
Length with packaging	90 mm
Width with packaging	60 mm

Products for the electronic industry



Height with packaging	10 mm
Sales unit	1 piece
Content unit	1 piece
Total length	42.5 mm
Product series	842
RoHS compliant	yes
Tip series	842
Inner diameter (shaft)	6.6 mm
Outer diameter (shaft)	8.5 mm
Soldering tip diameter	1 mm
Tip shape	pencil pointed
Tip alignment	straight
Coating of the soldering tip	permanent soldering tip
Matching handpiece	BASIC TOOL, ERGO TOOL, MULTI-PRO, MULTI-SPRINT, MULTI-TC, POWER-TOOL, PTC 70
Matching handpiece	Power-Tool, Ergo-Tool, Multi-Pro, Multi-TC, PTC 70 und Multi-Sprint
ESD compliant	no