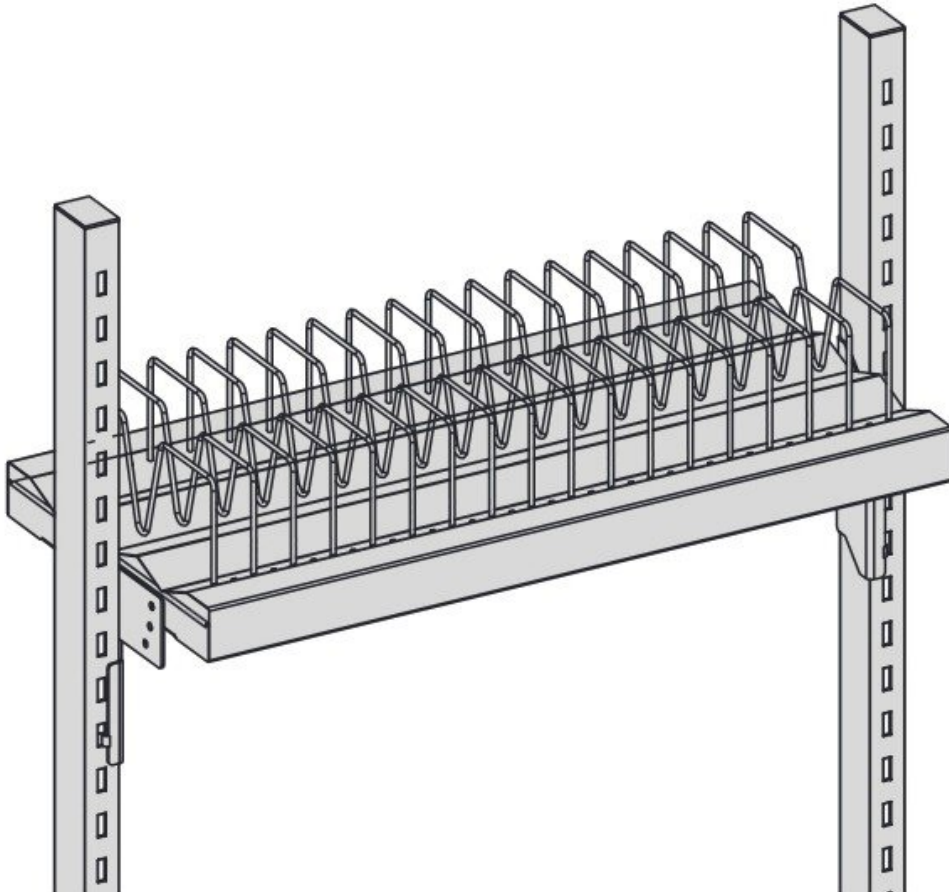


## Storage board can be suspended for SMD rolls



The hook-in storage board for SMD reels offers an efficient solution for storing SMD reels with diameters of 320 mm or 180 mm. Equipped with 35 dividers, it enables an orderly and clear arrangement of the reels. The board has a width of 860 mm and fits perfectly in CARs with a width of 970 mm, ensuring optimum use of space. A practical and flexible solution for organizing SMD reels in your working environment. We also offer matching dividers.

- for SINTRO-CAR
- suitable for CAR width 970 mm
- for SMD rolls with  $d = 320$  mm or  $d = 180$  mm
- can be equipped with 35 divider brackets

Item no. **WL35863**

Model 69.104.70

Products for the electronic industry



Model line	Sintro
Manufacturer	KARL
Manufacturer article no.	69.104.70
GPSR manufacturer data	Andreas KARL GmbH & Co. KG Hauptstraße 26 DE-85777 Fahrenzhausen www.karl.eu
Width	860 mm
Height	55 mm
Depth	405 mm
Sales unit	1 piece
Content unit	1 piece
Incl. battery	no
ESD compliant	yes