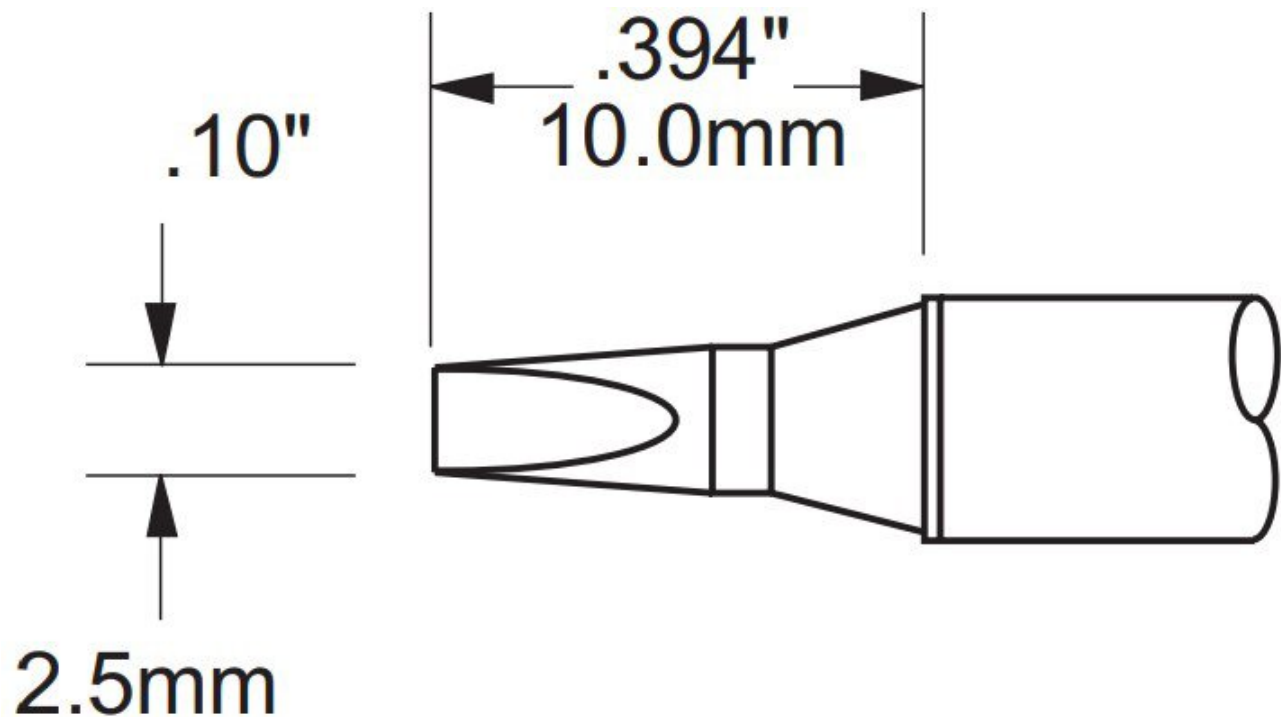


Soldering tip PHT series, chisel-shaped 30°, 2.5 x 10 mm



The PHT-651355 soldering tip from OKI's PHT series is ideal for precise soldering work on temperature-sensitive components. The chisel-shaped, angled tip with 30° has the dimensions 2.5 x 10 mm and enables precise work, even on hard-to-reach or sensitive soldering points.

Thanks to its high-quality manufacturing, the tip offers even heat conduction and precise control throughout the entire soldering process. It is compatible with the PS-900 and PS-CA1 handpieces and can be replaced quickly if necessary to ensure that the soldering station is ready for use.

The PHT-651355 is ideal for electronics repairs, prototyping and production work where precision and gentle use of temperature are crucial. Users benefit from a durable and reliable tip that delivers precise results even with repeated use.

- for temperature sensitive applications

Item no.	WL35358
Model	PHT-651355
Manufacturer	OKI

Manufacturer article no.	PHT-651355
GPSR manufacturer data	OK International Ltd Eagle Close, Chandlers Ford GB-SO53 4NF Hampshire www.ok-international.com
Sales unit	1 piece
Content unit	1 piece
Product series	PHT Series
Tip series	PHT
Angle (soldering tip)	30 °
Tip length	10 mm
Tip width	2.5 mm
Tip shape	chisel-shaped
Tip alignment	bent
Matching handpiece	PS-900, PS-CA1
ESD compliant	no