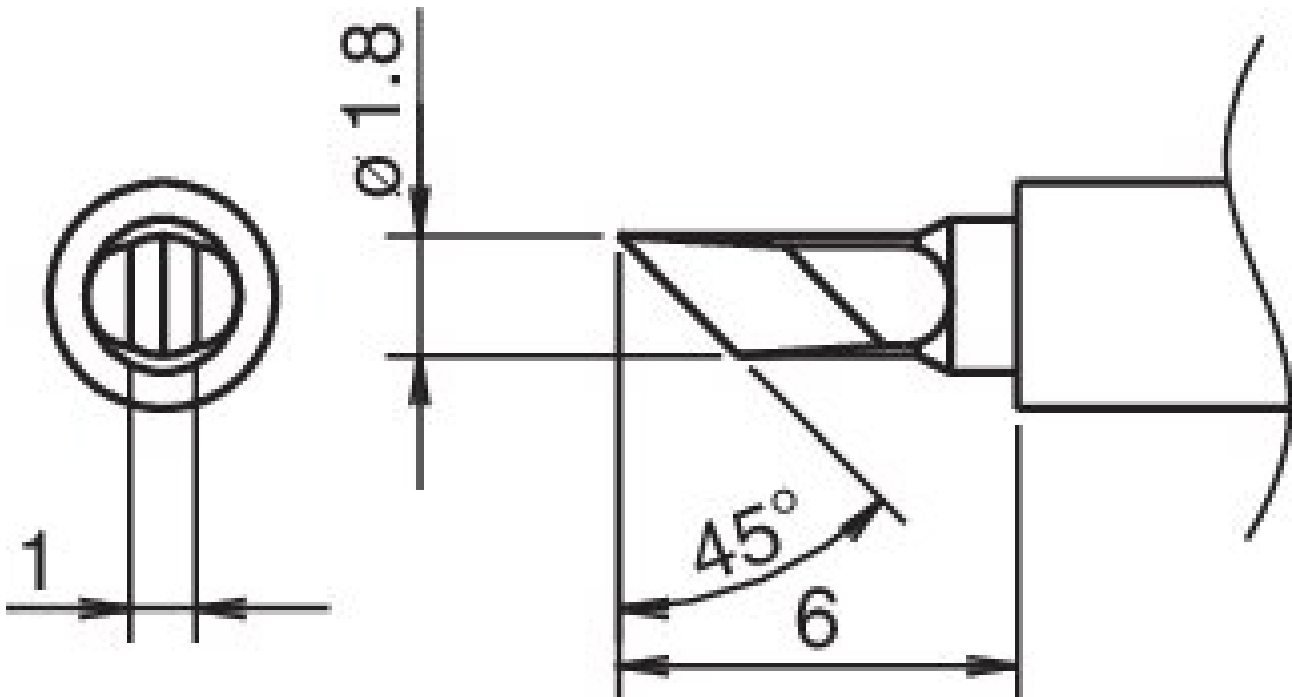


COMPOSIT soldering tip format KU



- for HAKKO soldering iron FM 2032

item number	WL34288
model	T30-KU
manufacturer	HAKKO
manufacturer item number	T30-KU
GPSR manufacturer information	TBK - Technisches Büro Kullik GmbH Industriestrasse 27 DE-56276 Großmaiseid www.kullik.com/
length	45 mm
width	125 mm
height	7 mm
order unit	1 piece
content unit	1 piece
product series	T30
Tip series	T30

Products for the electronic industry



tip dimensions	1 x 1,8 mm
tip length	6 mm
tip shape	blade-shaped
tip alignment	sloped
suitable handpiece	FM-2032
suitable handle	FM-2032
ESD safe	no