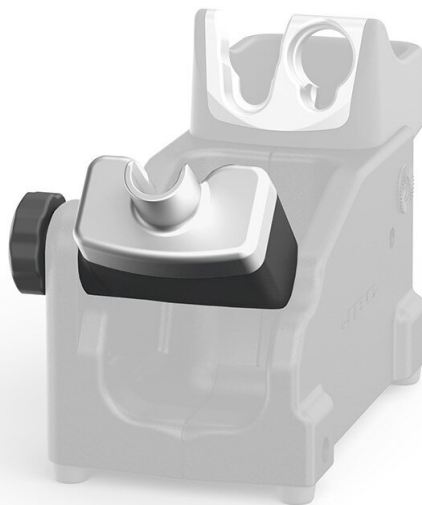


Tool holder for stand TES, for TET precision heating hose set



It provides a safe grip of the tool while not in use.
It works with TES Stand and fits TET Precision Heater Hose Set.

Intelligent Heat Management

The metal top detects the tool and activates the cooling process when the stand is connected to the station.

Adjustable position

By turning the knob, you can easily adjust the stand to suit it to your work position.

Item no.	WL32853
Model	0016227
Manufacturer	JBC

Manufacturer article no.	0016227
GPSR manufacturer data	JBC Soldering SL Ramón y Cajal 3 ES-08750 Molins De Rei www.jbctools.com
Length with packaging	300 mm
Width with packaging	125 mm
Height with packaging	65 mm
Sales unit	1 piece
Content unit	1 piece

