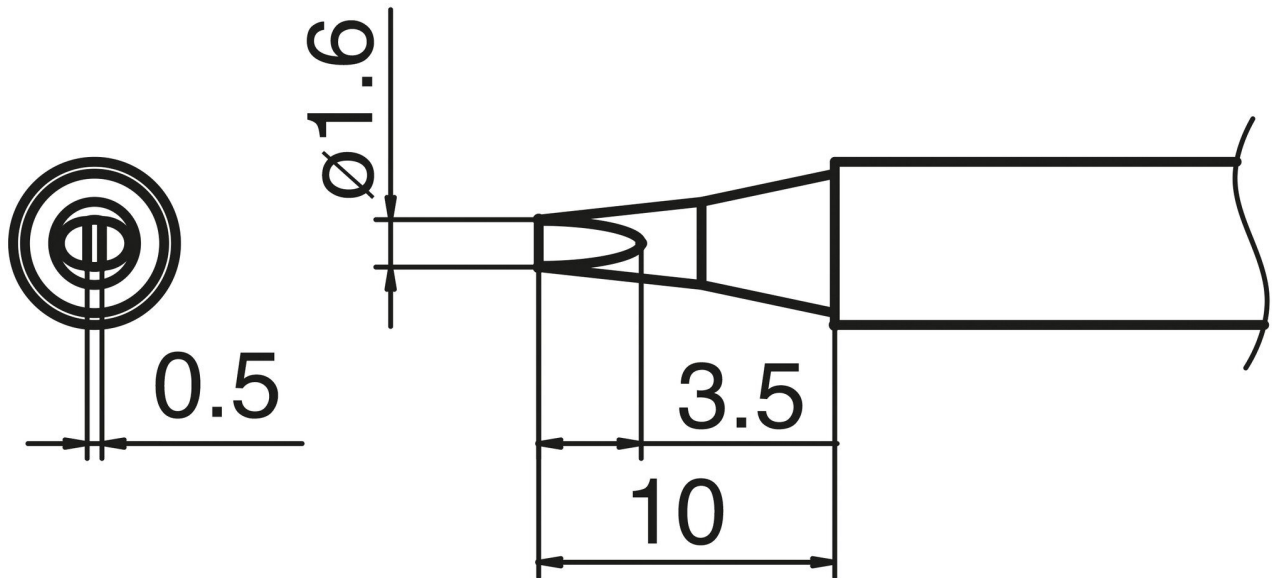


COMPOSIT soldering tip format 1.6D



- for HAKKO N2 soldering iron FM 2026 (nozzle C - B 2708)

Item no.	WL31196
Model	T17-D16
Manufacturer	HAKKO
Manufacturer article no.	T17-D16
GPSR manufacturer data	TBK - Technisches Büro Kullik GmbH Industriestrasse 27 DE-56276 Großmaischeid www.kullik.com/
Length	220 mm
Width	45 mm
Height	7 mm
Sales unit	1 piece
Content unit	1 piece
Incl. battery	no
Tip series	T17
Tip shape	chisel-shaped
Tip alignment	straight

Products for the electronic industry



Matching handpiece FM-2026

ESD compliant no

