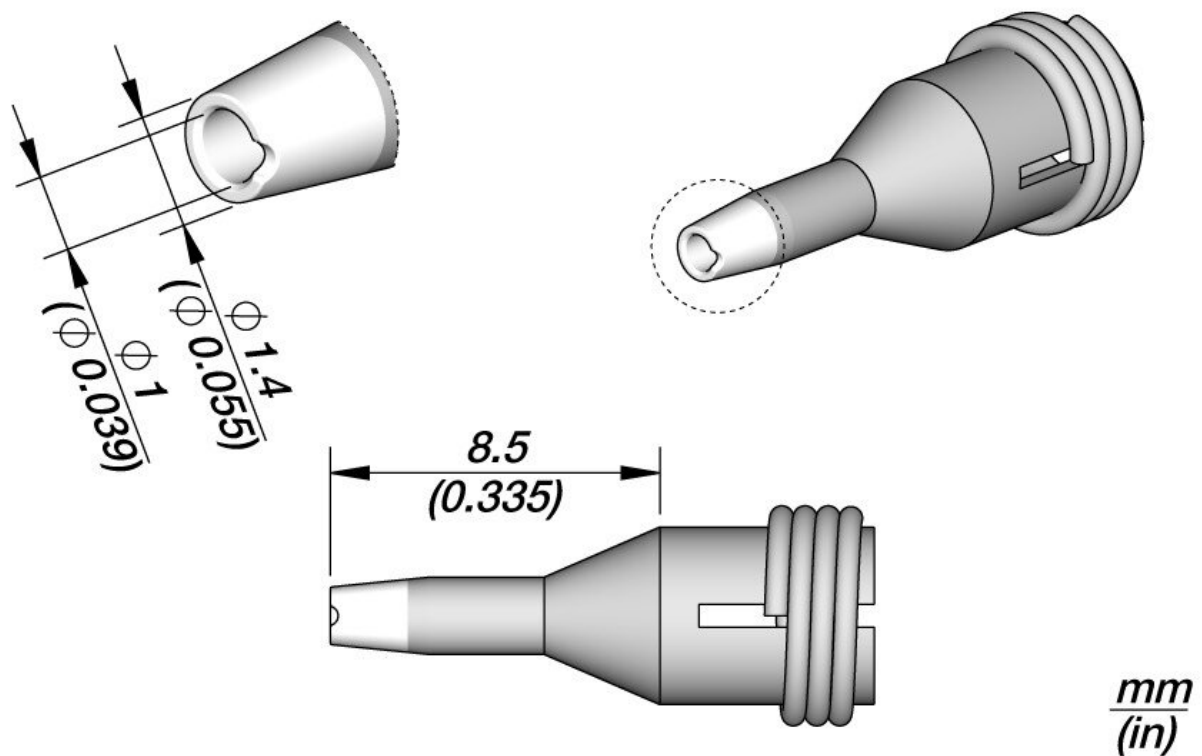


Desoldering nozzle for pad cleaning, D: 1 mm, C360013



- instant heating and excellent heat transfer
 - Sleep and sleep mode
 - to plug on
- for the extraction of solder (pad cleaning)

Item no.	WL30214
Model	C360-013
Manufacturer	JBC
Manufacturer article no.	C360013
GPSR manufacturer data	JBC Soldering SL Ramón y Cajal 3 ES-08750 Molins De Rei www.jbctools.com
Length with packaging	60 mm

Products for the electronic industry



Width with packaging	35 mm
Height with packaging	35 mm
Sales unit	1 piece
Content unit	1 piece
Incl. battery	no
Product series	C360
Tip series	C360
Inner diameter	1 mm
Outer diameter	1.4 mm
Tip shape	special form
Tip alignment	straight
Matching handpiece	DS360
Matching handpiece	DS360
ESD compliant	no