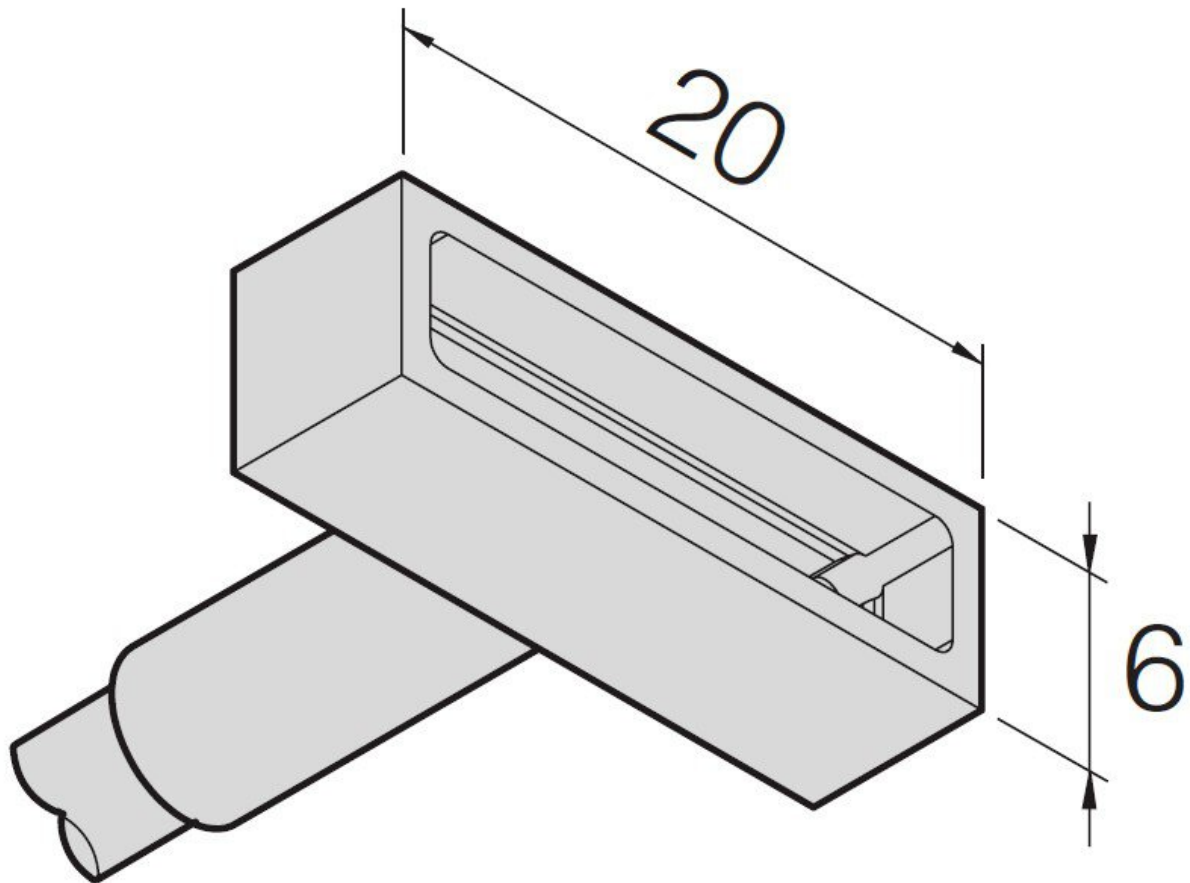


## Special soldering tips, for soldering iron T245, C245311



The special C245-311 soldering tip from the C245 series has been developed for the T245 handpiece and is particularly suitable for working on plastic rivets.

The straight tip in a special shape measures 6 x 20 mm and has a tip length of 6.5 mm, which makes precise work easier.

With integrated heating, an overall length of 110 mm and a weight of 10 g, the tip sits comfortably in the hand and ensures clean, controlled soldering for special applications for plastic rivets

Item no.	WL30206
Model	C245-311
Manufacturer	JBC

Manufacturer article no.	C245311
GPSR manufacturer data	JBC Soldering SL Ramón y Cajal 3 ES-08750 Molins De Rei www.jbctools.com
Length with packaging	110 mm
Width with packaging	12 mm
Height with packaging	12 mm
Sales unit	1 piece
Content unit	1 piece
Incl. battery	no
Product series	C245
Tip series	C245
Incl. integrated heating	yes
Tip dimensions	6 x 20 mm
Tip length	6.5 mm
Tip shape	special form
Tip alignment	straight
Suitable soldering iron	T245
Matching handpiece	T245
Matching handpiece	T245
ESD compliant	no