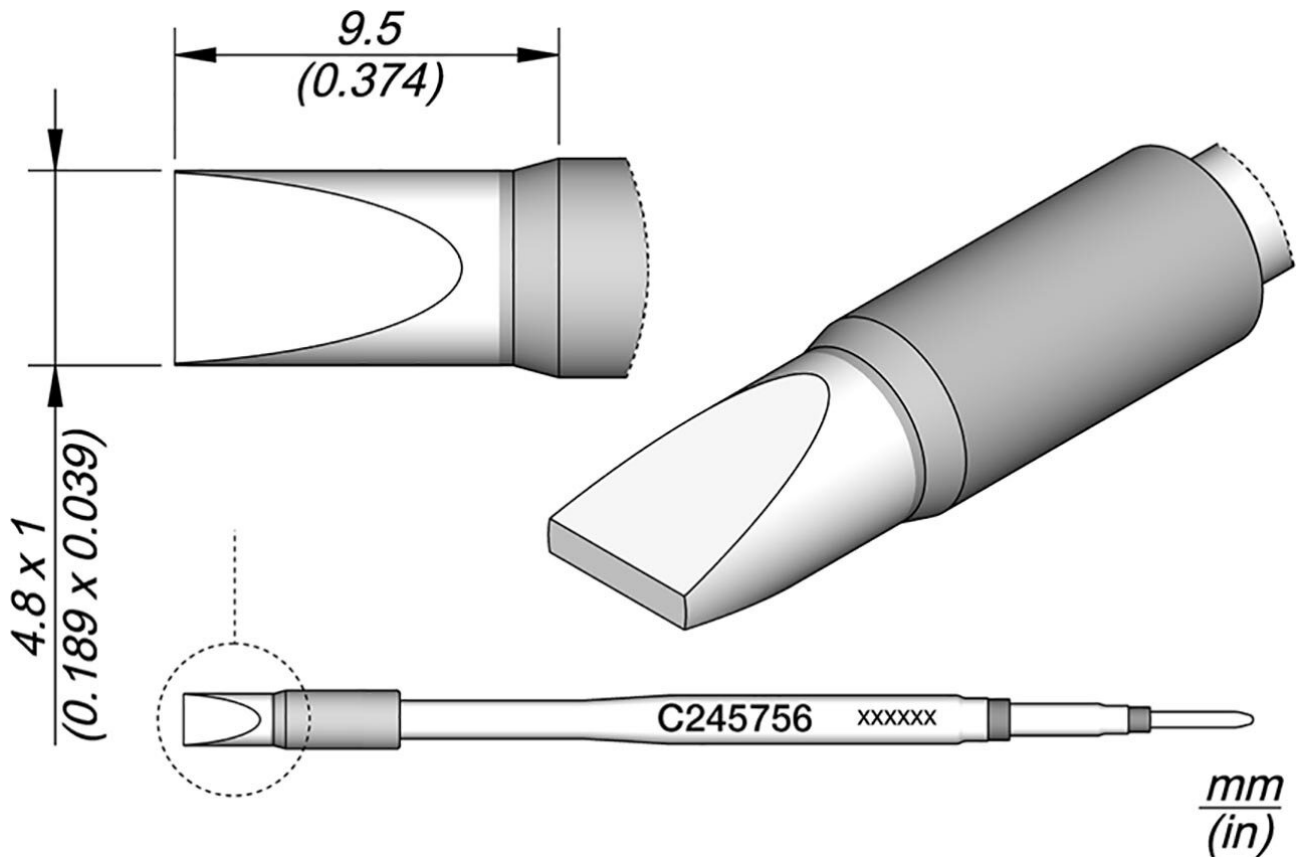


Chisel-shaped soldering tip, 4.8 x 1 mm HT, C245756



Soldering tips series C245 for soldering iron T245 (formerly AD-2245). They are suitable for general soldering purposes. Sleep and sleep mode in the clipboard.

Item no.	WL29885
Model	C245-756
Manufacturer	JBC
Manufacturer article no.	C245756
GPSR manufacturer data	JBC Soldering SL Ramón y Cajal 3 ES-08750 Molins De Rei www.jbctools.com
Length with packaging	110 mm
Width with packaging	12 mm
Height with packaging	12 mm

Products for the electronic industry



Sales unit	1 piece
Content unit	1 piece
Incl. battery	no
Product series	C245
Tip series	C245
Incl. integrated heating	yes
Tip dimensions	4,8 x 1 mm
Tip length	9.5 mm
Tip width	4.8 mm
Tip shape	chisel-shaped
Tip alignment	straight
Matching handpiece	T245
Matching handpiece	T245
ESD compliant	no