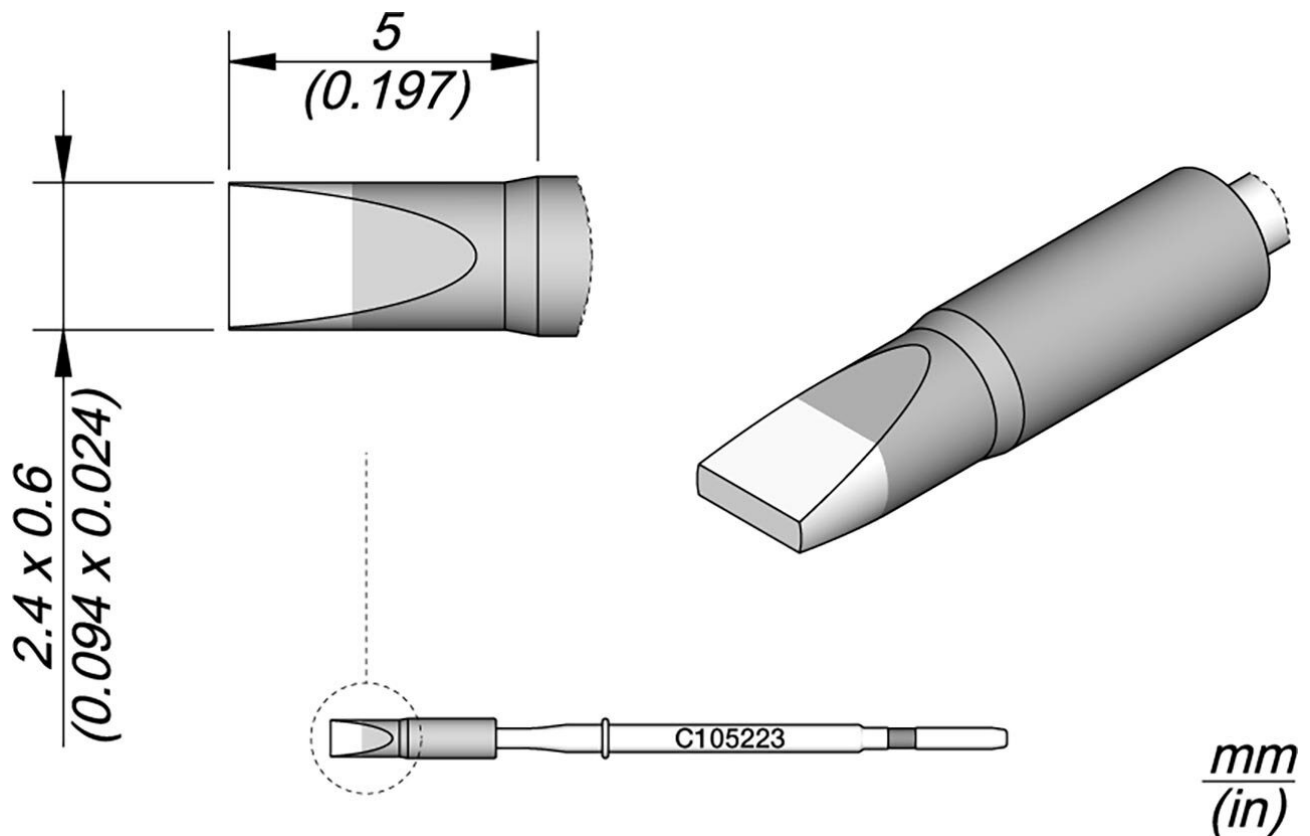


## Soldering tip chisel-shaped, straight, 2.4 x 0.6 mm, C105223



The soldering tips of the C105 series are the smallest tips of the JBC series and are ideal for soldering and repairing very small components. These are compatible with the NT105 and NP105 nano handpieces.

Item no.	WL29034
Model	C105-223
Manufacturer	JBC
Manufacturer article no.	C105223
GPSR manufacturer data	JBC Soldering SL Ramón y Cajal 3 ES-08750 Molins De Rei www.jbctools.com
Length with packaging	106 mm
Width with packaging	45 mm

Height with packaging	12 mm
Sales unit	1 piece
Content unit	1 piece
Incl. battery	no
Product series	C105
Tip series	C105
Incl. integrated heating	yes
Tip dimensions	2,4 x 0,6 mm
Tip length	5 mm
Tip shape	chisel-shaped
Tip alignment	straight
Matching desoldering tweezers	NT105, NP105
Matching handpiece	NP105, NT105
Matching handpiece	NT105, NP105
ESD compliant	no