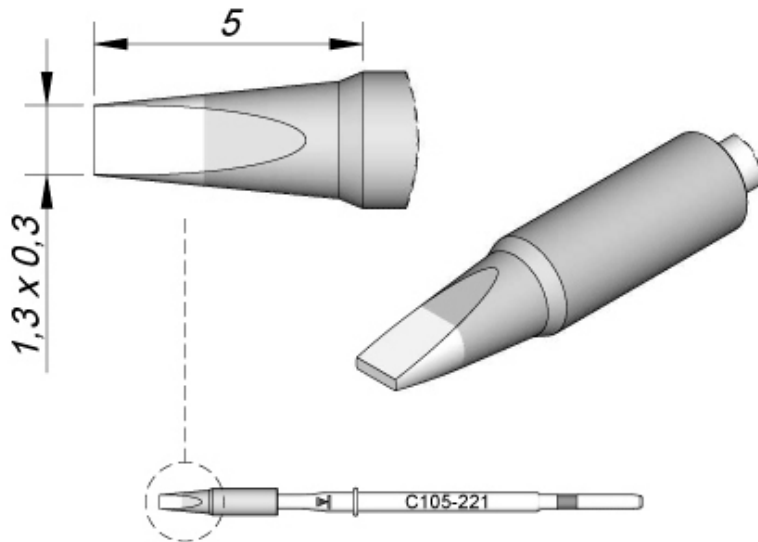


Soldering tip chisel-shaped, straight, 1.3 x 0.3 mm



Description

The soldering tips of the C105 series are the smallest tips of the JBC series and are ideal for soldering and repairing very small components. These are compatible with the NT105 and NP105 nano handpieces.

Product details

item number	WL29032
manufacturer	JBC
manufacturer item number	C105221
model	C105-221
dimensions with packaging (LxWxH)	106 mm x 45 mm x 12 mm
order unit	piece
product series	C105
with integrated heating	yes
tip dimensions	1,3 x 0,3 mm
tip length	5 mm
tip shape	chisel-shaped

Products for the electronic industry



tip alignment	straight
suitable desoldering tweezer	NT105, NP105
suitable handle	NT105, NP105

