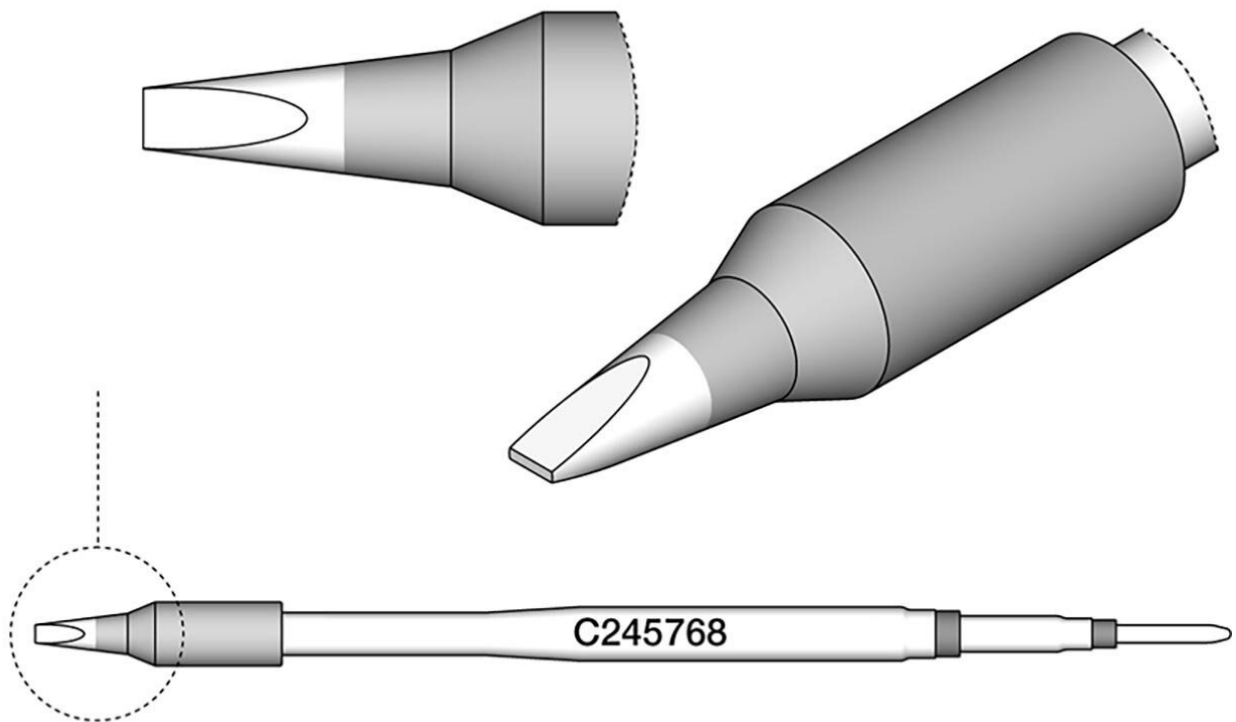


Special soldering tips, for soldering iron T245, C245768



The C245768 soldering tip from the C245 series from JBC is a high-quality chisel tip with the dimensions 1.5×0.3mm and a length of 10mm. It is specially designed for general soldering applications and is ideal for working with SMD components as well as for applications with high performance requirements, such as soldering printed circuit boards. Thanks to JBC Long Life technology, this soldering tip offers instant heat-up time, excellent heat transfer and outstanding durability. It lasts up to five times longer than comparable products from other brands, making it a cost-effective choice for professional soldering work.

The C245768 is compatible with JBC's T245 handpieces and is part of the extensive C245 series, which includes over 150 different models in various shapes and sizes. This versatility makes it possible to find the right soldering tip for almost any application.

Item no.	WL28997
Model	C245-768
Manufacturer	JBC

Products for the electronic industry



Manufacturer article no.	C245768
GPSR manufacturer data	JBC Soldering SL Ramón y Cajal 3 ES-08750 Molins De Rei www.jbctools.com
Length with packaging	110 mm
Width with packaging	12 mm
Height with packaging	12 mm
Sales unit	1 piece
Content unit	1 piece
Product series	C245
Tip series	C245
Incl. integrated heating	yes
Tip dimensions	1,5 x 0,3 mm
Tip length	10 mm
Tip shape	chisel-shaped
Tip alignment	straight
Suitable soldering iron	T245
Matching handpiece	T245
Matching handpiece	T245
ESD compliant	no