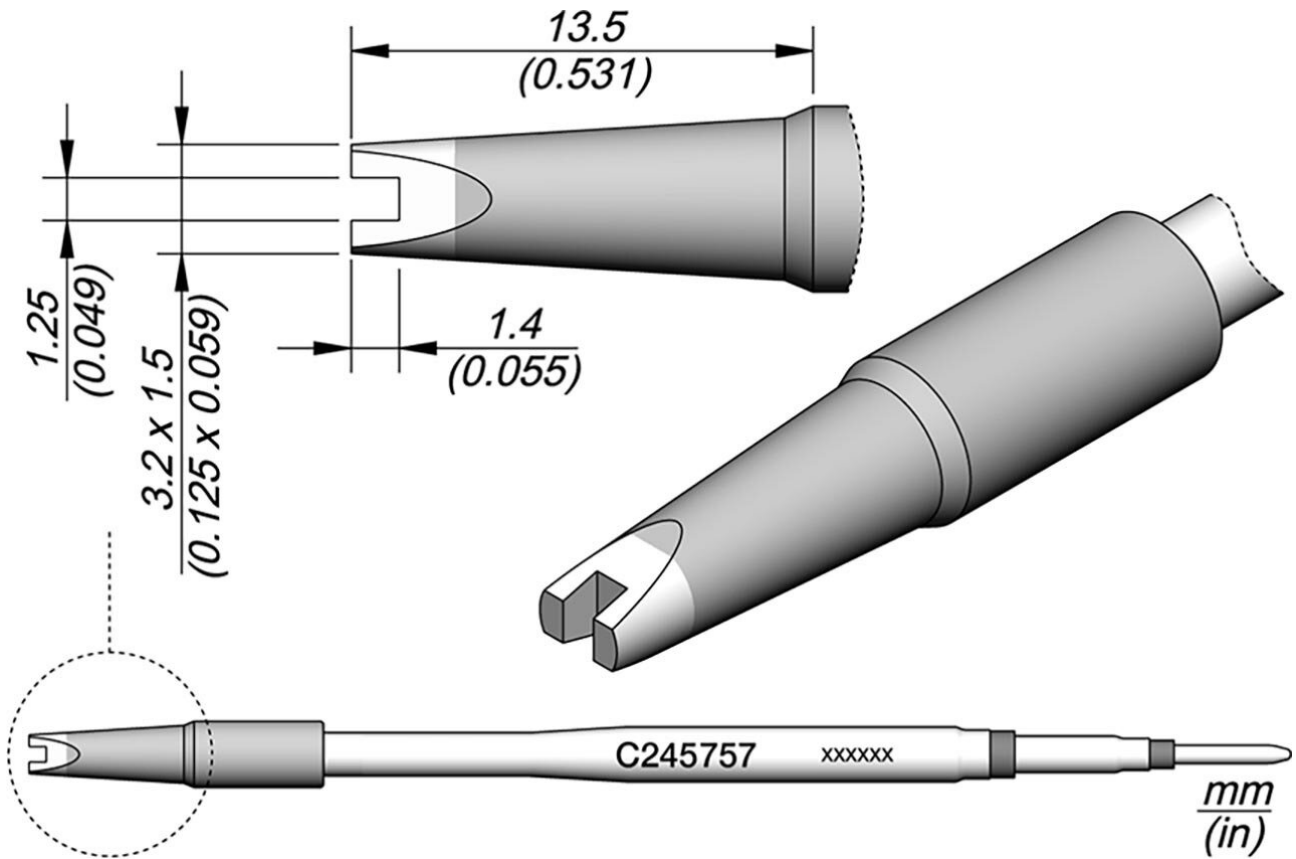


Special soldering tips, for T245 soldering iron, C245757



with notch: 1,4 x 1,25 mm

Item no.	WL28584
Model	C245-757
Manufacturer	JBC
Manufacturer article no.	C245757
GPSR manufacturer data	JBC Soldering SL Ramón y Cajal 3 ES-08750 Molins De Rei www.jbctools.com
Length with packaging	110 mm
Width with packaging	12 mm
Height with packaging	12 mm
Sales unit	1 piece

Products for the electronic industry



Content unit	1 piece
Incl. battery	no
Product series	C245
Tip series	C245
Incl. integrated heating	yes
Tip dimensions	3,2 x 1,5 mm
Tip length	13.5 mm
Tip shape	special form
Tip alignment	straight
Suitable soldering iron	T245
Matching handpiece	T245
Matching handpiece	T245
ESD compliant	no